

E-TON

PARTS LIST MANUAL



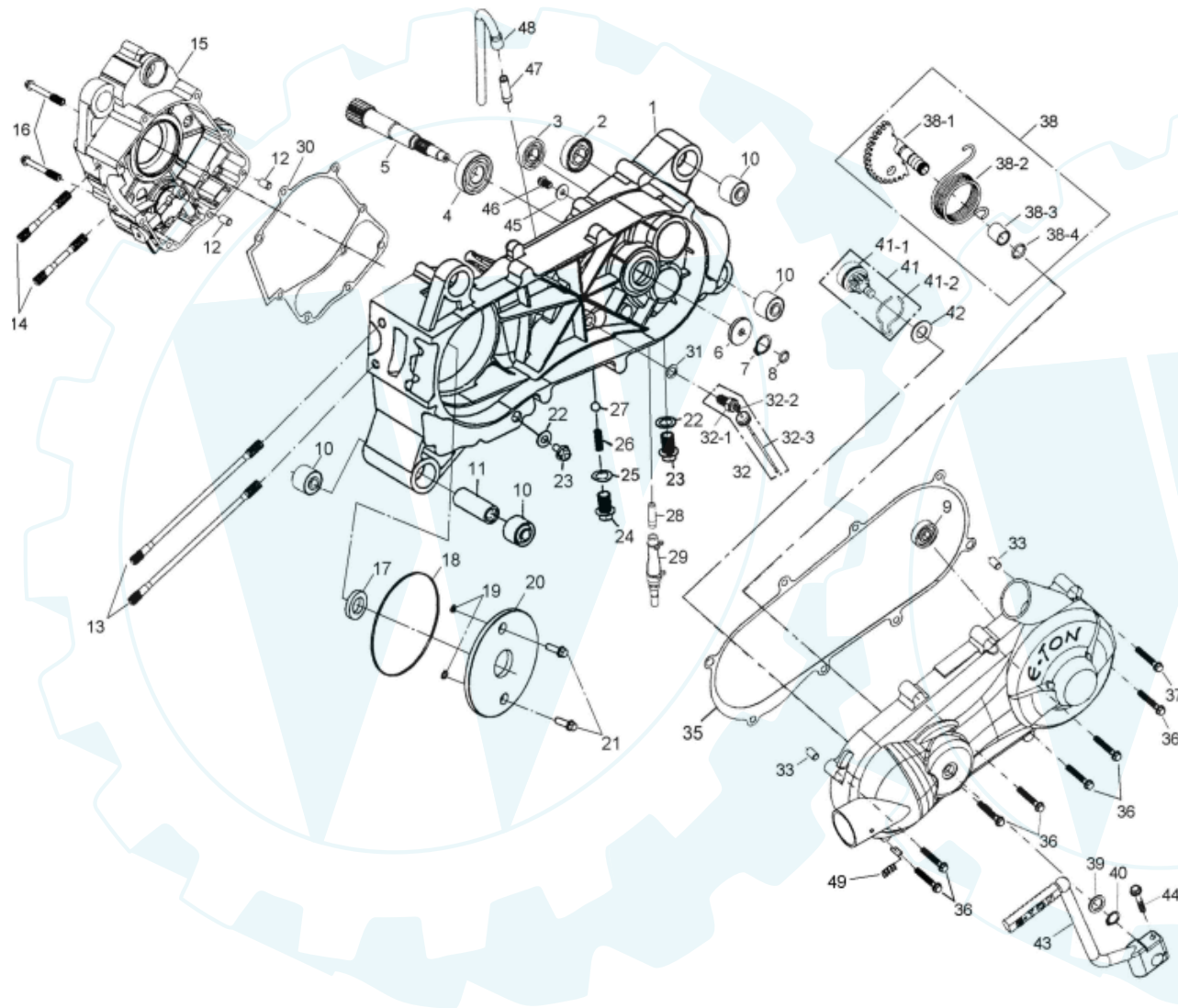
EXL 150

CONTENTS

| PARTS ITEM | | |
|------------|------------------------------------------|-----------------|
| 01 | CRANK CASE, L COVER, SPINDLE ASSY. | 曲軸箱，曲軸箱蓋，腳起動組 |
| 02 | CRANK SHAFT, PISTON, CYLINDER, TENSIONER | 曲柄，活塞，汽缸，拉力桿 |
| 03 | OIL PUMP, STARTING MOTOR | 機油pump，起動馬達 |
| 04 | RIGHT CRANK CASE COVER, GENERATOR | 右曲軸箱蓋，發電機 |
| 05 | COVER HEAD, HEAD, CAM SHAFT, VALVE | 汽缸頭蓋，汽缸頭，凸輪軸，閥門 |
| 06 | FAN COVER, SHROUD | 風扇蓋，引擎罩蓋 |
| 07 | DRIVEN RULLEY (CVT) | CVT驅動皮帶輪 |
| 08 | TRANSMISSION | 傳動系 |
| 09 | GEAR SHAFT LEVER, SAFETY SWITCH | 變檔桿，安全開關 |
| 10 | AIR CLEANER | 空氣濾清器 |
| 11 | CARBURETOR | 化油器 |
| 12 | OIL COOLER | 機油冷卻管組 |
| 13 | ENGINE | 引擎 |
| 14 | MUFFLER | 排氣管 |
| 15 | FRAME | 車架 |
| 16 | FENDER | 擋泥板 |
| 17 | SWING ARM | A 臂 |
| 18 | SEAT | 座墊 |
| 19 | FUEL TANK | 汽油箱 |
| 20 | SUSPENSION | 避震器 |
| 21 | FRONT WHEEL | 前輪 |
| 22 | REAR WHEEL | 後輪 |
| 23 | FRONT BRAKE SYSTEM | 前煞車系統 |
| 24 | REAR BRAKE SYSTEM | 後煞車系統 |
| 25 | HANDLE BAR | 手把 |
| 26 | BUMPER, FOOTREST | 保護桿，置腳踏板 |
| 27 | REAR WHEEL AXLE | 後輪軸 |
| 28 | STEERING | 轉向系統 |
| 29 | ELECTRICAL EQUIPMENT | 電裝品 |
| 30 | PACKING CASE,EXTERNAL | 包裝外箱 |

NOTE : Not for sales*表示不售服、Not available N/A表示不適用

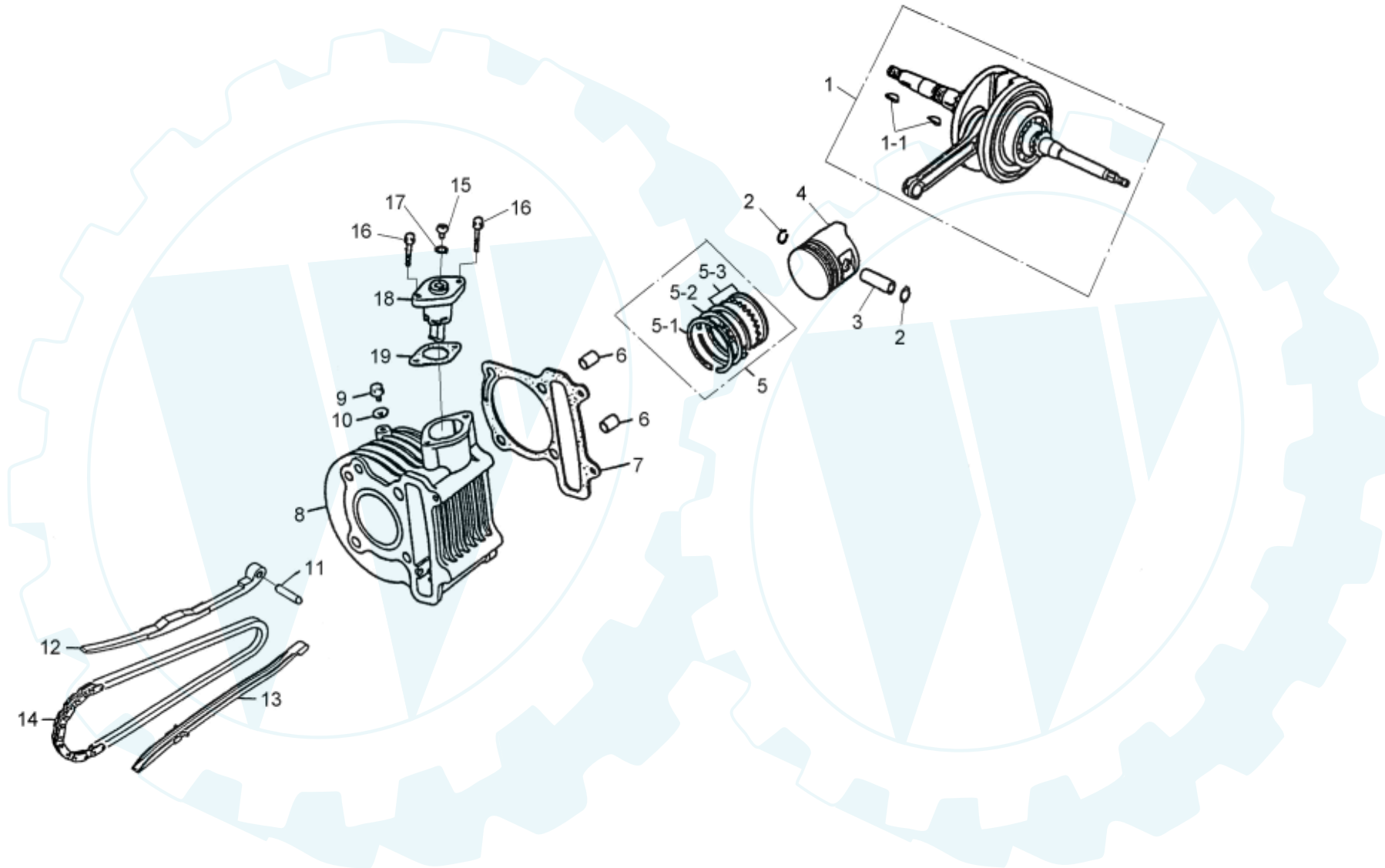
1. CRANK CASE \ L COVER \ SPINDLE ASSY



| ITEM | PART NO. | NAME | Q'TY | 品名 | VIN NO | U.S | E.U | A.T | TW | A.S |
|------|----------------|------------------------------------|------|----------------|--------|-----|-----|-----|----|-----|
| 1 | | CRANK CASE, L COVER, SPINDLE ASSY. | | | | | | | | |
| 1-1 | A1200-V30-0900 | CRANK CASE L | 1 | 左曲軸箱組 | | | | | | |
| 1-2 | I6100-62030 | BEARING, BALL ,RADIAL | 1 | NO:013 滾珠軸承 | | | | | | |
| 1-3 | I6100-62020 | BEARING, BALL ,RADIAL | 1 | NO:014 滾珠軸承 | | | | | | |
| 1-4 | I6100-62043 | BEARING, BALL, RADIAL | 1 | NO:012 滾珠軸承 | | | | | | |
| 1-5 | B3411-V30-9000 | SHAFT DRIVE(13T) | 1 | 驅動軸 | | | | | | |
| 1-6 | I1202-A04-0000 | OIL SEAL (20×32×6) | 1 | 油封 (20×32×6) | | | | | | |
| 1-7 | I4510-20000 | CIRCLIP EX | 1 | NO:010 C型扣環 | | | | | | |
| 1-8 | I4608-09424 | O-RING | 1 | NO:012 O型環 | | | | | | |
| 1-9 | I6150-62000-10 | BEARING, BALL, RADIAL | 1 | NO:035 滾珠軸承 | | | | | | |
| 1-10 | A1103-V30-0000 | RUBBER BUSH ENGINE | 4 | 懸吊橡膠 | | | | | | |
| 1-11 | A8255-V30-0000 | BOSS (A) | 1 | 襯套(A) | | | | | | |
| 1-12 | I4301-08140 | KNOCK PIN | 2 | NO:008 定位銷 | | | | | | |
| 1-13 | I0032-08208-0H | STUD BOLT (B) | 2 | NO:005 汽缸螺栓(B) | | | | | | |
| 1-14 | I0031-08200-0H | STUD BOLT (A) | 2 | NO:007 汽缸螺栓(A) | | | | | | |
| 1-15 | A1100-V30-0900 | CRANK CASE COMP RIGHT | 1 | 右曲軸箱組(油冷) | | | | | | |
| 1-16 | I6001-06050-0H | BOLT HEXAGON HEAD | 2 | NO:005 六角帶頭螺栓 | | | | | | |
| 1-17 | I1201-A04-9000 | OIL SEAL (19.8×30.5) | 1 | 油封 (19.8×30.5) | | | | | | |
| 1-18 | I4608-10720 | O-RING | 1 | NO:025 O型環 | | | | | | |
| 1-19 | I4608-06017 | O-RING | 2 | NO:031 O型環 | | | | | | |
| 1-20 | A1207-A14-0001 | PLATE CRANK CASE L | 1 | 左曲軸箱板 | | | | | | |
| 1-21 | I6001-06020-0H | BOLT HEXAGON HEAD | 2 | NO:001 六角帶頭螺栓 | | | | | | |
| 1-22 | I4104-12120 | WASHER | 2 | NO:049 平墊圈 | | | | | | |
| 1-23 | I2800-12015-0C | DRAIN PLUG BOLT | 2 | NO:002 洩油塞頭螺栓 | | | | | | |
| 1-24 | B4305-V30-0000 | SCREW FIXING | 1 | 檔位固定螺栓 | | | | | | |
| 1-25 | I4104-14210 | WASHER | 1 | NO:057 平墊圈 | | | | | | |
| 1-26 | B4306-V30-0000 | SPRING FIXED CATCH | 1 | 檔位固定彈簧 | | | | | | |
| 1-27 | B4307-V30-0000 | BALL BEARING | 1 | 鋼珠 | | | | | | |
| 1-28 | A1206-V30-0000 | CONNECTER TUBE BREATHER | 1 | 排水管接頭 | | | | | | |
| 1-29 | A7232-V30-0000 | DRAIN TUBE | 1 | 排水管 | | | | | | |
| 1-30 | A1192-A08-0000 | GASKET CRANK CASE | 1 | 曲軸箱墊片 | | | | | | |

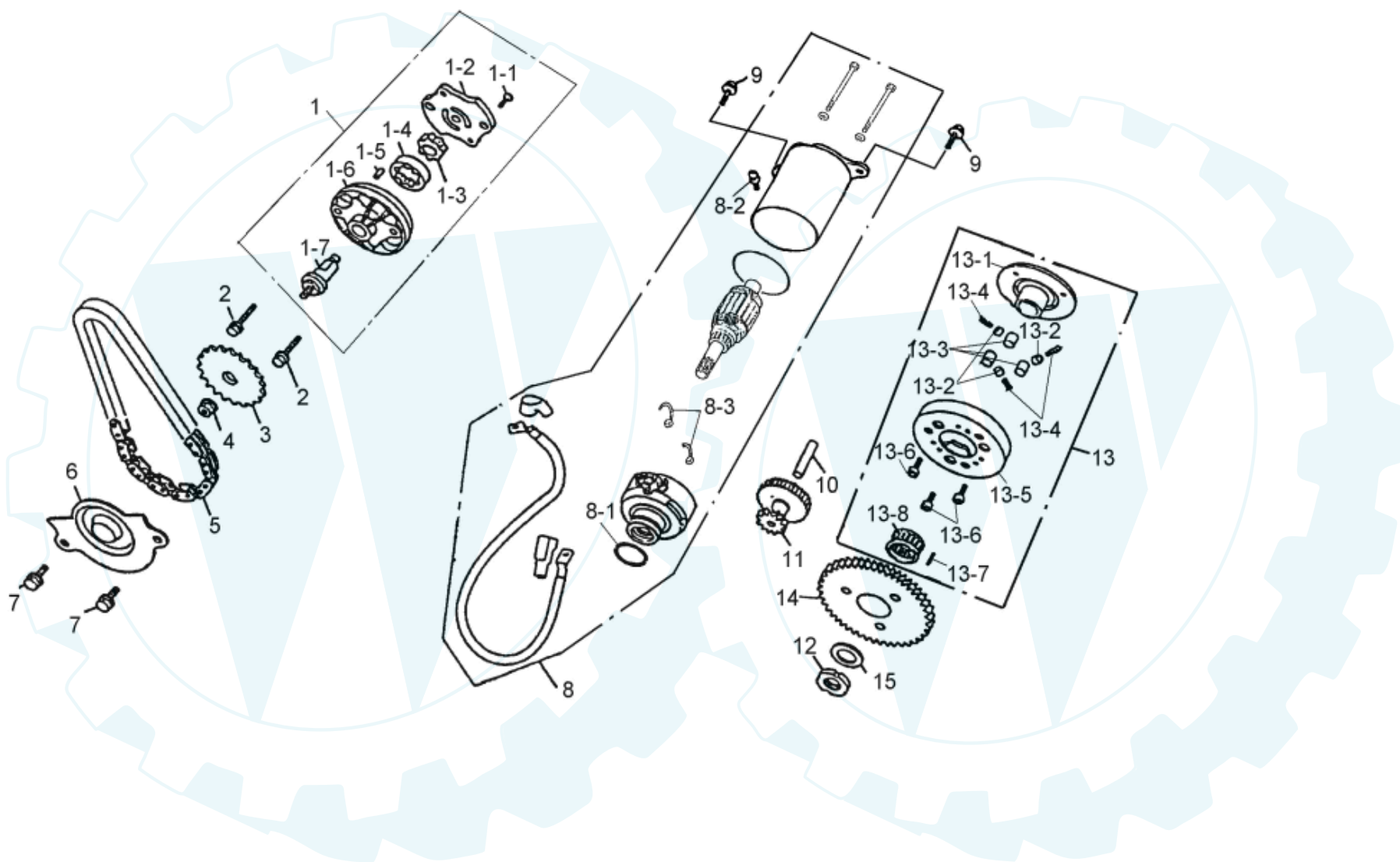
| ITEM | PART NO. | NAME | Q'TY | 品名 | VIN NO | U.S | E.U | A.T | TW | A.S |
|---------|----------------|------------------------------------|------|---------------|--------|-----|-----|-----|----|-----|
| 1 | | CRANK CASE, L COVER, SPINDLE ASSY. | | | | | | | | |
| 1-31 | I4104-10010 | WASHER | 1 | NO:058 平墊圈 | | | | | | |
| 1-32 | C5750-V30-0000 | NEUTRAL SWITCH COMP | 1 | 空檔接點開關組 | | | | | | |
| *1-32-1 | C5752-V30-0000 | NEUTRAL SWITCH CONNECTER | 1 | 空檔開關接頭 | | | | | | |
| *1-32-2 | I3500-04006 | SCREW, CROSS RECESS HEAD | 1 | 圓頭十字螺絲 | | | | | | |
| *1-32-3 | C5751-V30-0000 | WIRING COMP | 1 | 接線組 | | | | | | |
| 1-33 | I4301-10140 | KNOCK PIN | 2 | NO:009 定位銷 | | | | | | |
| 1-34 | A1341-V30-0300 | COVER L SIDE | 1 | 左曲軸箱側蓋 | | | | | | |
| 1-35 | A1395-V30-0000 | GASKET L COVER | 1 | 左曲軸箱側蓋墊片 | | | | | | |
| 1-36 | I6001-06040-0C | BOLT, HEXAGON HEAD | 7 | NO:024 六角帶頭螺栓 | | | | | | |
| 1-37 | I6001-06040-0H | BOLT, HEXAGON HEAD | 1 | NO:004 六角帶頭螺栓 | | | | | | |
| 1-38 | B825A-V30-0000 | SPINDLE ASSY. KICK STARTER | 1 | 起動軸總成 | | | | | | |
| 1-38-1 | B8250-A14-0001 | SPINDLE COMP KICK STARTER | 1 | 起動軸組 | | | | | | |
| 1-38-2 | B8281-A14-0000 | SPG KICK STARTER | 1 | 起動桿彈簧 | | | | | | |
| 1-38-3 | B8253-V30-0000 | BOSS KICK SPINDLE | 1 | 起動軸襯套 | | | | | | |
| 1-38-4 | I4608-13824A | O-RING | 1 | NO:046 O型環 | | | | | | |
| 1-39 | I4104-14520A | WASHER | 1 | NO:025 平墊圈 | | | | | | |
| 1-40 | I4510-14000 | CIRCLIP EX 14mm | 1 | NO:002 C型扣環 | | | | | | |
| 1-41 | B823A-A14-0001 | GEAR ASSY .STARTER IDLE | 1 | 起動惰輪總成 | | | | | | |
| *1-41-1 | B8230-A14-0001 | GEAR COMP KICK DRIVEN | 1 | 起動惰齒輪組 | | | | | | |
| *1-41-2 | B8223-A14-0000 | SPG KICK DRIVEN GEAR | 1 | 起動摩擦彈簧 | | | | | | |
| 1-42 | I4102-10505 | WASHER | 1 | NO:052 平墊圈 | | | | | | |
| 1-43 | B8300-V30-9000 | ARM ASSY. KICK STARTER | 1 | 起動桿組 | | | | | | |
| 1-44 | I5701-06035-0C | BOLT , HEXAGON HEAD | 1 | NO:012 六角帶頭螺栓 | | | | | | |
| 1-45 | I4104-06515A | WASHER | 1 | NO:085 平墊圈 | | | | | | |
| 1-46 | I6001-06012-0H | BOLT , HEXAGON HEAD | 1 | NO:030 六角帶頭螺栓 | | | | | | |
| 1-47 | A1106-A00-0000 | CONNECTER TUBE BREATHER | 1 | 呼吸管接頭 | | | | | | |
| 1-48 | A1221-V30-0000 | TUBE BREATHER | 1 | 呼吸管 | | | | | | |
| 1-49 | A1382-E1A-9000 | CLAMPER BRAKE CABLE | 1 | 煞車導線夾 | | | | | | |

2. CRANK SHAFT , PISTON , CYLINDER , TENSIONER



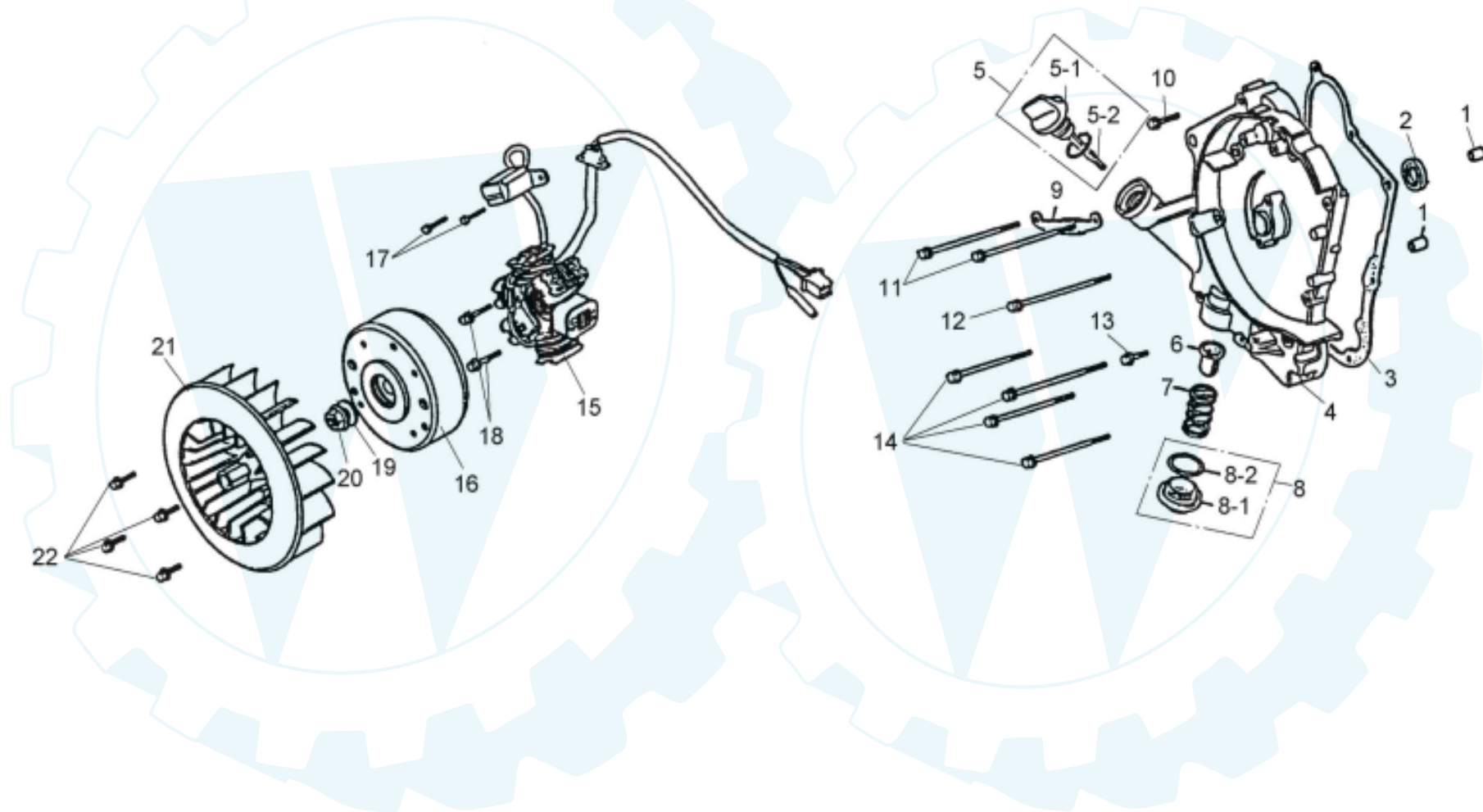
| ITEM | PART NO. | NAME | Q'TY | 品名 | VIN NO | U.S | E.U | A.T | TW | A.S |
|--------|----------------|-----------------------------------------|------|----------------|--------|-----|-----|-----|----|-----|
| 2 | | CRANKSHAFT, PISTON, CYLINDER, TENSIONER | | | | | | | | |
| 2-1 | A3000-V30-0001 | CRANK SHAFT COMP | 1 | 曲柄軸組 | | | | | | |
| 2-1-1 | I4401-25046 | WOOD RUFF KEY | 2 | NO:001 半圓鍵 | | | | | | |
| 2-2 | I4601-15000 | CLIP,PISTON PIN 15mm | 2 | NO:001 活塞銷扣環 | | | | | | |
| 2-3 | A3111-A08-0000 | PIN,PISTON | 1 | 活塞銷 | | | | | | |
| 2-4 | A3101-A08-0000 | PISTON | 1 | 活塞 | | | | | | |
| 2-5 | A3011-A08-0000 | RING SET,PISTON | 1 | 活塞環組 | | | | | | |
| *2-5-1 | A3121-A08-0000 | RING PISTON TOP | 1 | 第一活塞環 | | | | | | |
| *2-5-2 | A3131-A08-0000 | RING PISTON 2ND | 1 | 第二活塞環 | | | | | | |
| *2-5-3 | A3141-A08-0000 | RING PISTON OIL | 1 | 刮油活塞環 | | | | | | |
| 2-6 | I4301-10140 | PIN DOWEL | 2 | NO:009 定位銷 | | | | | | |
| 2-7 | A2191-A08-0000 | GASKET CYLINDER | 1 | 汽缸墊片 | | | | | | |
| 2-8 | A2100-A08-0000 | CYLINDER COMP | 1 | 汽缸 | | | | | | |
| 2-9 | I5801-06012-0C | BOLT, HEXAGON HEAD | 1 | NO:022 六角帶頭螺栓 | | | | | | |
| 2-10 | I4104-06512 | WASHER | 1 | NO:043 平墊圈 | | | | | | |
| 2-11 | I4301-06240 | KNOCK PIN | 1 | NO:012 定位銷 | | | | | | |
| 2-12 | A4510-A04-0000 | GUIDE TENSION CAM CHAIN | 1 | 鏈條張力導板 | | | | | | |
| 2-13 | A4610-A04-0000 | GUIDE CAM CHAIN | 1 | 鏈條導板 | | | | | | |
| 2-14 | A4401-A07-0000 | CHAIN CAM | 1 | 凸輪軸驅動鏈條 | | | | | | |
| 2-15 | I3700-06005 | SCREW, OVAL TAP | 1 | NO:001 扁圓頭十字螺絲 | | | | | | |
| 2-16 | I6001-06020-0H | BOLT, HEXAGON HEAD | 2 | NO:001 六角帶頭螺栓 | | | | | | |
| 2-17 | I4608-09515 | O-RING | 1 | NO:019 O型環 | | | | | | |
| 2-18 | A4520-A04-0000 | LIFTER ASSY .TENSIONER | 1 | 鏈條調整器組 | | | | | | |
| 2-19 | A4523-A04-0000 | GASKET TENSIONER LIFTER | 1 | 鏈條調整器墊片 | | | | | | |

3. OIL PUMP \ STARING MOTOR



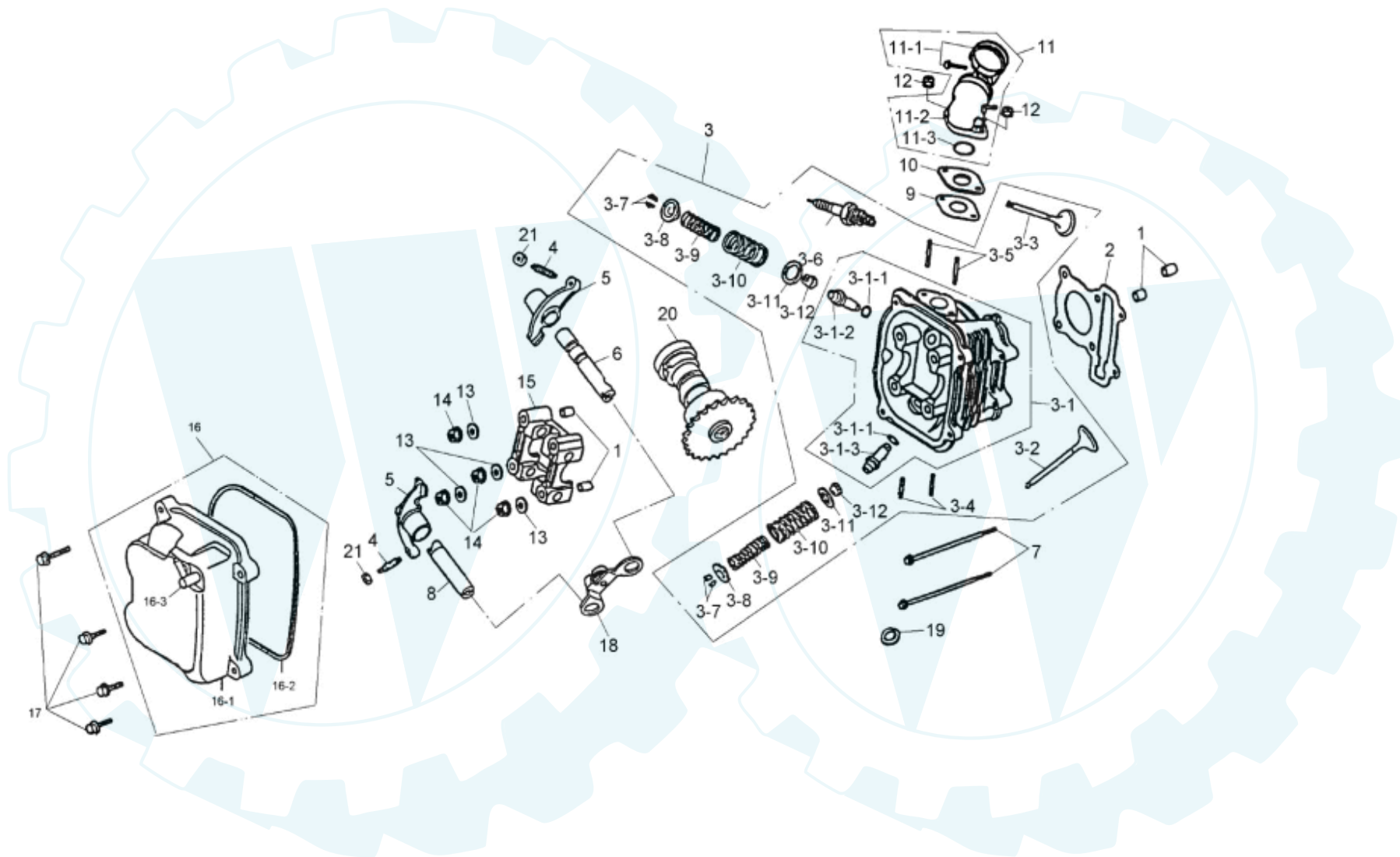
| ITEM | PART NO. | NAME | Q'TY | 品名 | VIN NO | U.S | E.U | A.T | TW | A.S |
|----------|----------------|-----------------------------------|------|------------------|--------|-----|-----|-----|----|-----|
| 3 | | OIL PUMP, STARTING MOTOR | | | | | | | | |
| 3-1 | A5100-A07-0000 | PUMP ASSY. OIL | 1 | 機油泵總成 | | | | | | |
| *3-1-1 | I3500-03010-0G | SCREW, CROSS RECESS HEAD (3×10) | 1 | NO:001圓頭十字螺絲3×10 | | | | | | |
| *3-1-2 | A5116-A04-0000 | PLATE OIL PUMP | 1 | 機油泵底板 | | | | | | |
| *3-1-3 | A5331-A07-0000 | ROTOR OIL PUMP INNER | 1 | 機油泵內轉子 | | | | | | |
| *3-1-4 | A5332-A07-0000 | ROTOR OIL PUMP OUTER | 1 | 機油泵外轉子 | | | | | | |
| *3-1-5 | I4303-04065 | KNOCK PIN | 1 | NO:006 定位銷 | | | | | | |
| *3-1-6 | A5101-A07-0000 | BODY OIL PUMP | 1 | 機油泵本體 | | | | | | |
| *3-1-7 | A5132-A04-0000 | SHAFT OIL PUMP | 1 | 機油泵軸 | | | | | | |
| 3-2 | I3600-06030-0H | SCREW, CROSS RECESS HEAD | 2 | NO:003 平頭十字螺絲 | | | | | | |
| 3-3 | A5133-A04-0000 | SPROCKET OIL PUMP DRIVEN | 1 | 機油泵被驅動鏈輪 | | | | | | |
| 3-4 | I4050-0600G | NUT FLANGE 6 mm | 1 | 凸緣螺帽 6 mm | | | | | | |
| 3-5 | A5141-A04-0000 | CHAIN OIL PUMP | 1 | 機油泵驅動鏈條 | | | | | | |
| 3-6 | A5711-A04-0000 | SEPARATOR OIL | 1 | 分油器 | | | | | | |
| 3-7 | I6001-06012-0H | BOLT, HEXAGON HEAD | 2 | NO:030 六角帶頭螺栓 | | | | | | |
| 3-8 | C1200-V30-0000 | MOTOR START COMP | 1 | 起動馬達組 | | | | | | |
| *3-8-1 | I1309-24031 | O-RING (24.4×3.1) | 1 | O型環24.4×3.1 | | | | | | |
| *3-8-2 | I3892-04006-08 | SCREW WASH (4×6) | 2 | 螺絲附墊圈4×6 | | | | | | |
| 3-8-3 | C1221-A04-0000 | CARBON BRUSH | 2 | 碳刷 | | | | | | |
| 3-9 | I6001-06016-0C | BOLT, HEXAGON HEAD | 2 | NO:029 六角帶頭螺栓 | | | | | | |
| 3-10 | B8102-A04-0000 | SHAFT STARTER REDUCTION GEAR | 1 | 起動減速齒輪軸 | | | | | | |
| 3-11 | B8101-A04-0000 | GEAR STARTER REDUCTION | 1 | 起動減速齒輪 | | | | | | |
| 3-12 | I0231-A04-0000 | NUT LOCK | 1 | 鎖緊螺帽 | | | | | | |
| 3-13 | B812A-A04-0000 | OUTER ASSY .STARTING CLUTCH | 1 | 單向傳動器總成 | | | | | | |
| *3-13-1 | B8125-A04-0000 | FLANGE STARTING CLUTCH | 1 | 起動離合器凸緣 | | | | | | |
| *3-13-2 | B8124-A04-0000 | CAP STARTING CLUTCH ROLLER SPRING | 3 | 滾子彈簧蓋 | | | | | | |
| *3-13-3 | I6220-A0100 | ROLLER | 3 | NO:003 滾筒 | | | | | | |
| *3-13-4 | B8127-A04-0000 | SPRING STARTING CLUTCH ROLLER | 3 | 滾子彈簧 | | | | | | |
| *3-13-5 | B8120-A04-0000 | BODY COMP CLUTCH OUTER | 1 | 單向傳動器本體組 | | | | | | |
| *-3-13-6 | I0001-06012 | BOLT, SOCKET PAN 6×12 | 3 | 圓頭承窩螺栓 | | | | | | |
| *-3-13-7 | I4303-05060 | KNOCK PIN | 1 | NO:005 定位銷 | | | | | | |
| *-3-13-8 | I1110-2832168 | BEARING, NEEDLE | 1 | NO:012滾針軸承 | | | | | | |
| 3-14 | B8110-A04-0000 | GEAR COMP STARTING CLUTCH | 1 | 起動離合器齒輪組 | | | | | | |
| 3-15 | I4104-22225 | WASHER | 1 | NO:047 平墊圈 | | | | | | |

4. RIGHT CRANK CASE COVER \ GENERATOR



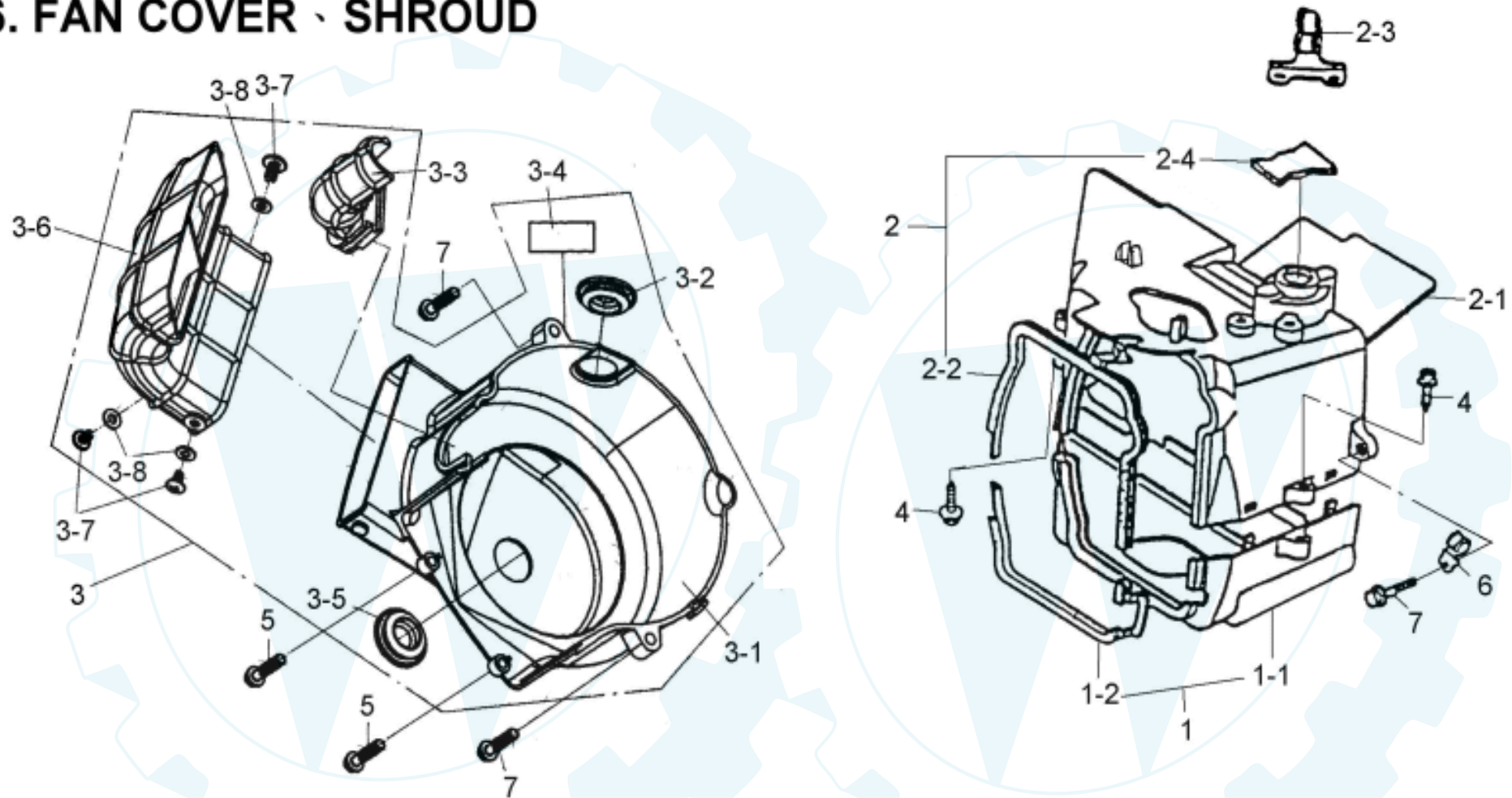
| ITEM | PART NO. | NAME | Q'TY | 品名 | VIN NO | U.S | E.U | A.T | TW | A.S |
|--------|----------------|-----------------------------------|------|------------------|--------|-----|-----|-----|----|-----|
| 4 | | RIGHT CRANK CASE COVER, GENERATOR | | | | | | | | |
| 4-1 | I4301-08140 | KNOCK PIN | 2 | NO:008 定位銷 | | | | | | |
| 4-2 | I1201-A04-9000 | OIL SEAL (19.8×30×5) | 1 | 油封(19.8×30×5) | | | | | | |
| 4-3 | A1394-A04-0000 | GASKET R CRANK CASE COVER | 1 | 右曲軸箱蓋墊片 | | | | | | |
| 4-4 | A1331-V30-0900 | COVER R SIDE | 1 | 右曲軸箱側蓋 | | | | | | |
| 4-5 | A5650-A04-0000 | GAUGE ASSY. OIL LEVEL | 1 | 機油尺組 | | | | | | |
| *4-5-1 | A5651-A04-0000 | GAUGE OIL LEVEL | 1 | 機油尺 | | | | | | |
| *4-5-2 | I4608-12625 | O-RING (18×3.5) | 1 | NO:020 O型環 | | | | | | |
| 4-6 | A5421-A00-0000 | SCREEN,OIL FILTER | 1 | 濾油網 | | | | | | |
| 4-7 | A5426-A04-0000 | SPRING OIL FILTER SCREEN | 1 | 濾網彈簧 | | | | | | |
| 4-8 | A2360-A04-0001 | HOLE CAP TAPPET ASSY. | 1 | 調整塞頭組 | | | | | | |
| *4-8-1 | A2361-A04-0000 | CAP TAPPET ADJUSTING HOLE | 1 | 調整塞頭 | | | | | | |
| *4-8-2 | I4608-30832 | O-RING | 1 | NO:017 O型環 | | | | | | |
| 4-9 | C2961-A04-0000 | CLAMPER A.C.G GENERATOR | 1 | A.C.G線夾 | | | | | | |
| 4-10 | I6001-06040-0C | BOLT, HEXAGON HEAD | 1 | NO:024 六角帶頭螺栓 | | | | | | |
| 4-11 | I6001-06110-0C | BOLT , HEXAGON HEAD | 1 | NO:026 六角帶頭螺栓 | | | | | | |
| 4-12 | I6001-06100-0H | BOLT , HEXAGON HEAD | 1 | NO:010 六角帶頭螺栓 | | | | | | |
| 4-13 | I6001-06032-0H | BOLT , HEXAGON HEAD | 1 | NO:009 六角帶頭螺栓 | | | | | | |
| 4-14 | I6001-06095-0C | BOLT , HEXAGON HEAD | 4 | NO:025 六角帶頭螺栓 | | | | | | |
| 4-15 | C1120-V30-9000 | STARTER COMP(CDI) | 1 | 定子線圈 | | | | | | |
| 4-16 | C1110-V30-0000 | FLYWHEEL COMP | 1 | 飛輪組 | | | | | | |
| 4-17 | I3412-05014-0H | BOLT, HEXAGON HEAD WASHER | 2 | NO:001 六角螺栓+波形墊圈 | | | | | | |
| 4-18 | I6001-06020-0H | BOLT, HEXAGON HEAD | 2 | NO:001 六角帶頭螺栓 | | | | | | |
| 4-19 | I4104-12522 | WASHER | 1 | NO:046 平墊圈 | | | | | | |
| 4-20 | I4050-12110-0H | NUT, HEXAGON HEAD 12mm | 1 | NO:001 六角帶頭螺帽 | | | | | | |
| 4-21 | A9510-A04-0000 | FAN COMP COOLING | 1 | 冷卻風扇組 | | | | | | |
| 4-22 | I6001-06018-0H | BOLT, HEXAGON HEAD (6×18) | 4 | NO:007 六角帶頭螺栓 | | | | | | |

5. HEAD COVER , HEAD , CAM SHAFT , VALVE



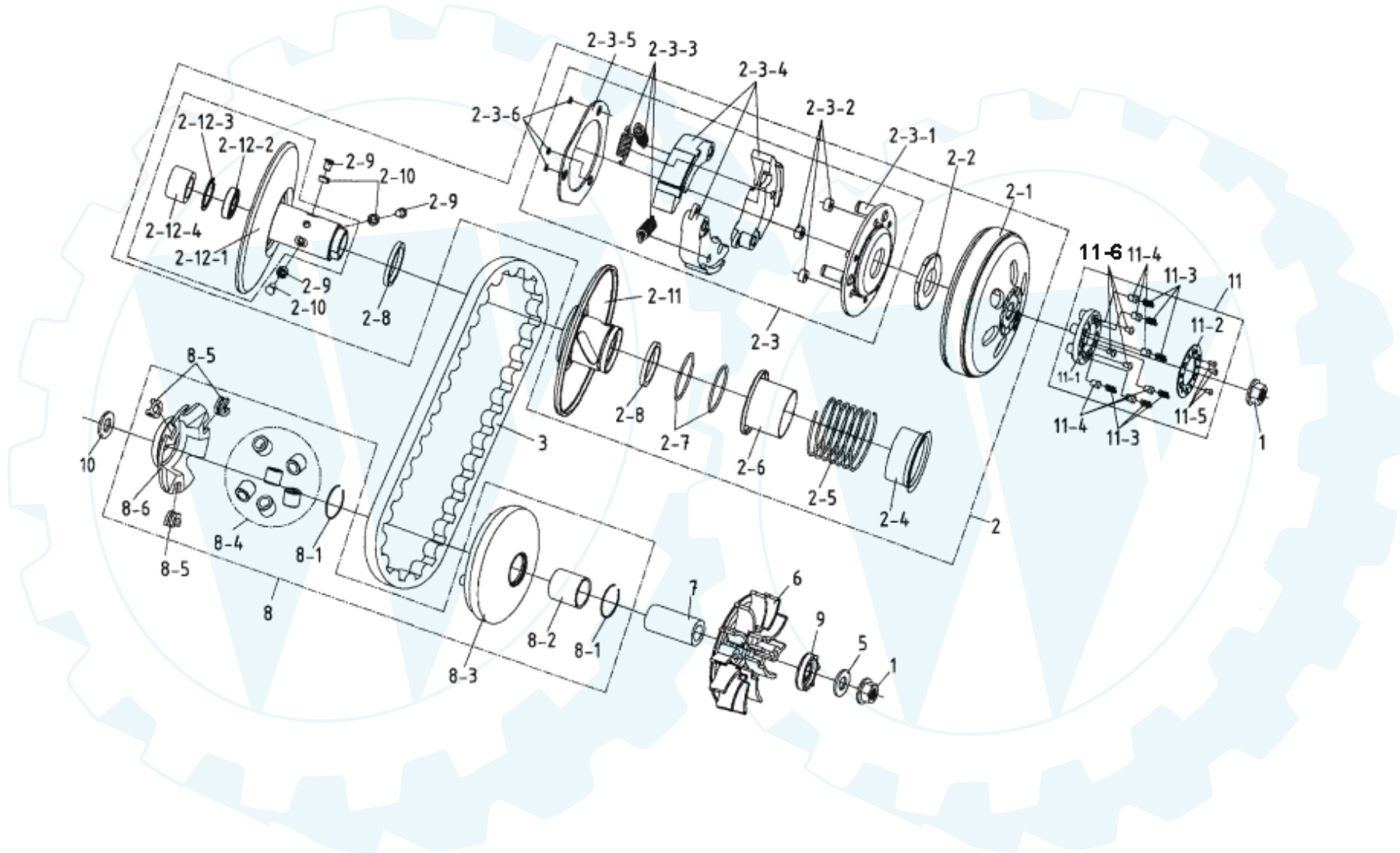
| ITEM | PART NO. | NAME | Q'TY | 品名 | VIN NO | U.S | E.U | A.T | TW | A.S |
|----------|----------------|------------------------------------|------|---------------|--------|-----|-----|-----|----|-----|
| 5 | | COVER HEAD, HEAD, CAM SHAFT, VALVE | | | | | | | | |
| 5-1 | I4301-10140 | DOWEL PIN (10×14) | 4 | NO:009定位銷 | | | | | | |
| 5-2 | A2251-A08-0000 | GASKET CYLINDER HEAD | 1 | 汽缸頭墊片 | | | | | | |
| 5-3 | A220A-A08-9000 | HEAD CYLINDER ASS'Y | 1 | 汽缸頭總成 | | | | | | |
| 5-3-1 | A2200-A08-0001 | HEAD COMP CYLINDER | 1 | 汽缸頭組 | | | | | | |
| *5-3-1-1 | I4608-09016 | O-RING | 2 | NO:018 O型環 | | | | | | |
| *5-3-1-2 | A2237-A04-0000 | GUIDE IN VALVE | 1 | 進氣閥導管 | | | | | | |
| *5-3-1-3 | A2245-A04-0000 | GUIDE EX VALVE | 1 | 排氣閥導管 | | | | | | |
| 5-3-2 | A4721-A08-0000 | VALVE EXHAUST | 1 | 排氣閥 | | | | | | |
| 5-3-3 | A4711-A08-0000 | VALVE INLET | 1 | 進氣閥 | | | | | | |
| 5-3-4 | I2900-06016-0A | STUD BOLT | 2 | NO:003 螺樁 | | | | | | |
| 5-3-5 | I2900-06050-0A | STUD BOLT | 2 | NO:001 螺樁 | | | | | | |
| 5-3-6 | I8000-V30-0000 | SPARK PLUG (CR7HSA) | 1 | 火星塞CR7HSA | | | | | | |
| 5-3-7 | A4781-A04-0000 | COTTER VALVE | 4 | 鍍鍵 | | | | | | |
| 5-3-8 | A4771-A04-0000 | RETAINER VALVE SPG | 2 | 閥彈簧固定片 | | | | | | |
| 5-3-9 | A4761-A07-0000 | SPG VALVE INNER | 2 | 閥門彈簧(內) | | | | | | |
| 5-3-10 | A4751-A07-0000 | SPG VALVE OUTER | 2 | 閥門彈簧(外) | | | | | | |
| 5-3-11 | I4104-16508 | SEAT VALVE SPG OUTER | 2 | NO:071平墊圈 | | | | | | |
| 5-3-12 | A2209-A04-0000 | SEAL VALVE STEM | 2 | 閥頭油封 | | | | | | |
| 5-4 | I0012-A04-0000 | SCREW TAPPET ADJUSTING | 2 | 間隙調整螺絲 | | | | | | |
| 5-5 | A4431-A07-0001 | ARM VALVE ROCKER | 2 | 進氣搖臂 | | | | | | |
| 5-6 | A4450-A04-0000 | SHAFT COMP IN ROCKET ARM | 1 | 進氣閥搖臂軸組 | | | | | | |
| 5-7 | I6001-06100-0H | BOLT,HEXAGON HEAD | 2 | NO:010 六角帶頭螺栓 | | | | | | |
| 5-8 | A4452-A04-0000 | SHAFT EX ROCKET ARM | 1 | 排氣閥搖臂軸 | | | | | | |
| 5-9 | A6201-A04-0000 | GASKET CARB INSULATOR | 1 | 隔熱板墊片 | | | | | | |
| 5-10 | A6211-A04-0000 | INSULATOR CARB | 1 | 化油器隔熱板 | | | | | | |
| 5-11 | A711A-V30-0000 | PIPE ASSY. INLET | 1 | 化油器接頭總成 | | | | | | |
| *5-11-1 | A7256-V30-0000 | BAND INSULATOR | 1 | 連接管固定帶 | | | | | | |
| *5-11-2 | A7110-A07-0000 | PIPE COMP INLET | 1 | 化油器接頭組 | | | | | | |
| *5-11-3 | I4608-27020 | O-RING | 1 | NO:016 O型環 | | | | | | |
| 5-12 | I4050-0600G | NUT FLANGE 6mm(c) | 2 | 螺帽6mm | | | | | | |
| 5-13 | I4101-08523 | WASHER | 4 | NO:054 平墊圈 | | | | | | |
| 5-14 | I4050-08075-0H | NUT,HEXAGON HEAD | 4 | NO:002 六角帶頭螺帽 | | | | | | |
| 5-15 | A2211-A04-0000 | HOLDER SHAFT | 1 | 凸輪軸座 | | | | | | |
| 5-16 | A230A-A04-0000 | COVER ASSY. HEAD | 1 | 汽缸頭蓋總成 | | | | | | |
| *5-16-1 | A2301-A04-0001 | COVER HEAD | 1 | 汽缸頭蓋 | | | | | | |
| 5-16-2 | A2391-A04-0000 | GASKET COVER HEAD CYLINDER | 1 | 汽缸頭蓋墊片 | | | | | | |
| *5-16-3 | A2305-A04-0000 | JOINT COMP BREATHER | 1 | 接頭組 | | | | | | |
| 5-17 | I6001-06025-0C | BOLT, HEXAGON HEAD | 4 | NO:022 六角帶頭螺栓 | | | | | | |
| 5-18 | A4150-A04-0000 | PLATE COMP STOPPER | 1 | 制止片組 | | | | | | |
| 5-19 | A8291-A04-0000 | GASKET EXHAUST PIPE | 1 | 排氣管墊片 | | | | | | |
| 5-20 | A4100-A07-0001 | SHAFT COMP CAM | 1 | 凸輪軸組 | | | | | | |
| 5-21 | I4001-050K0 | NUT, HEXAGON HEAD | 2 | NO:007 六角螺帽 | | | | | | |

6. FAN COVER - SHROUD



| ITEM | PART NO. | NAME | Q'TY | 品名 | VIN NO | U.S | E.U | A.T | TW | A.S |
|--------|----------------|-------------------------|------|-------------------|--------|-----|-----|-----|----|-----|
| 6 | | FAN COVER, SHROUD | | | | | | | | |
| 6-1 | A9620-A07-0001 | SHROUD COMP A | 1 | 罩蓋A組 | | | | | | |
| *6-1-1 | A9621-A07-0000 | SHROUD A | 1 | 罩蓋(A) | | | | | | |
| *6-1-2 | A9625-A04-0000 | SEAL SHROUD A | 1 | 密封墊圈(A) | | | | | | |
| 6-2 | A963A-V30-0001 | HROUD B ASSY | 1 | 罩蓋B總成 | | | | | | |
| *6-2-1 | A9630-V30-0000 | SHROUD COMP B | 1 | 罩蓋B組 | | | | | | |
| *6-2-2 | A9635-A04-0000 | SEAL SHROUD B | 1 | 密封墊圈(B) | | | | | | |
| *6-2-3 | A1384-V30-0000 | CLAMPER BREATHER TUBE | 1 | 通氣管夾 | | | | | | |
| *6-2-4 | A9633-A04-0000 | GROMMET SHROUD(B) | 1 | 索環 (B) | | | | | | |
| 6-3 | A961A-V30-0000 | COVER ASSY. FAN | 1 | 冷卻風扇罩總成 | | | | | | |
| *6-3-1 | A9610-V30-0000 | COVER COMP FAN | 1 | 冷卻風扇罩組 | | | | | | |
| 6-3-2 | G0529-A04-0000 | GROMMEET B SIDE PANEL | 1 | 橡皮塞 | | | | | | |
| *6-3-3 | A9615-A04-0000 | DUCT CARBURETOR COOLING | 1 | 化油器冷卻導管 | | | | | | |
| 6-3-4 | H7541-V30-0000 | LABEL OIL CAP | 1 | 機油油量標籤 | | | | | | |
| *6-3-5 | G0529-V30-0000 | GROMMET SHROUD | 1 | 橡皮塞 | | | | | | |
| *6-3-6 | A9616-V30-0000 | DUCT INLET | 1 | 進氣導管 | | | | | | |
| *6-3-7 | I3902-304B0 | SELF-TAPPING SCREW | 3 | 圓頭十字自攻螺絲 | | | | | | |
| *6-3-8 | I4101-04508 | WASHER | 3 | 平墊圈 | | | | | | |
| 6-4 | I3904-316B0 | BOLT, HEXAGON HEAD | 2 | NO:001 六角帶頭十字自攻螺絲 | | | | | | |
| 6-5 | I3500-05025-0G | SCREW PAN | 2 | NO:009 圓頭十字螺絲 | | | | | | |
| 6-6 | A1385-V30-0000 | CLAMPER CARB DRAIN TUBE | 1 | 溢油管夾 | | | | | | |
| 6-7 | I6001-06025-0C | BOLT , HEXAGON HEAD | 3 | NO:022 六角帶頭螺栓 | | | | | | |

7. DRIVEN PULLEY (CVT)

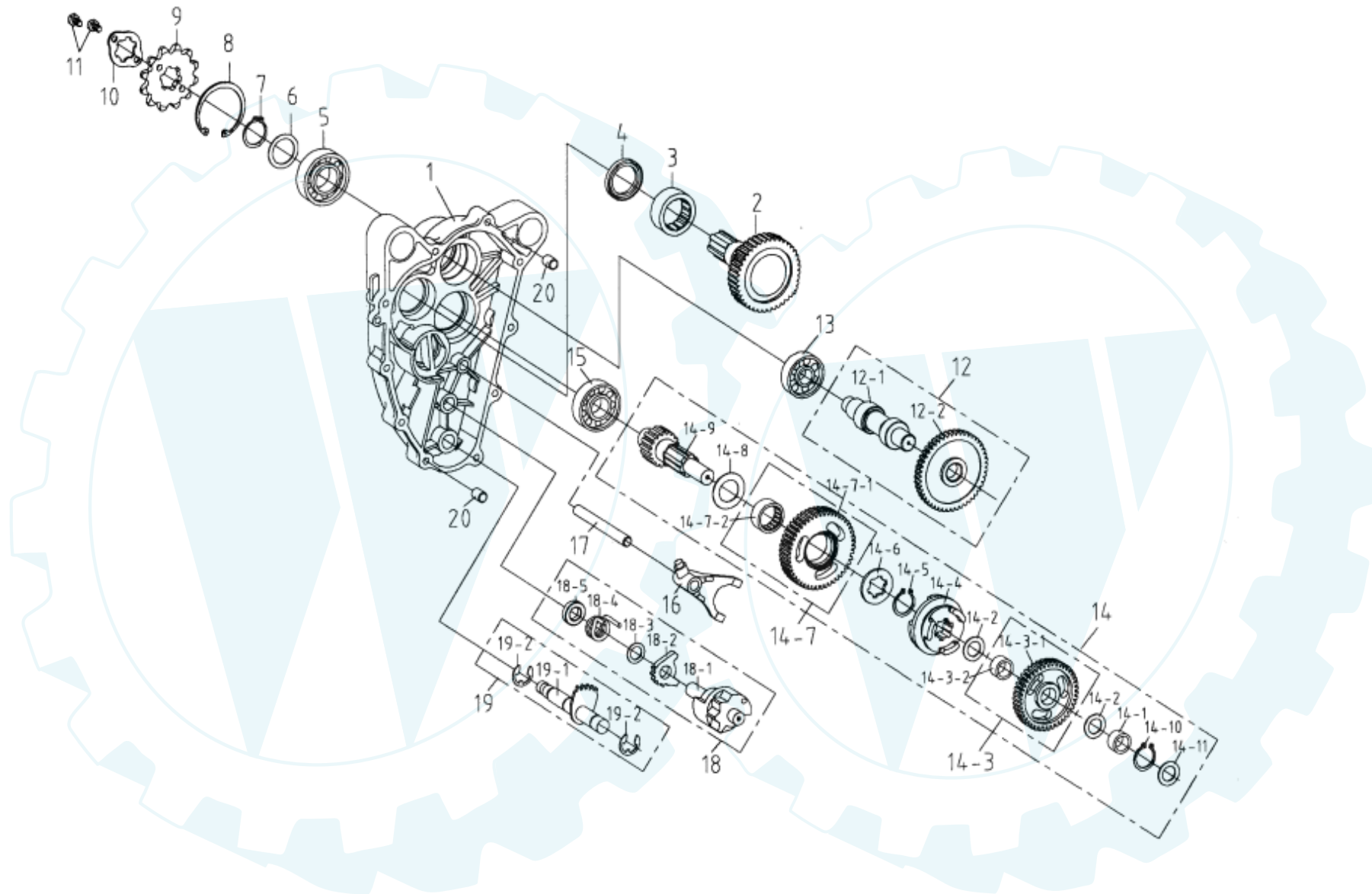


| ITEM | PART NO. | NAME | Q'TY | 品名 | VIN NO | U.S | E.U | A.T | TW | A.S |
|----------|----------------|---------------------|------|--------------|--------|-----|-----|-----|----|-----|
| 7 | | DRIVEN PULLEY (CVT) | | 驅動皮帶輪 | | | | | | |
| 7-1 | I4050-12110-0H | NUT, HEXAGON HEAD | 2 | NO:001六角帶頭螺帽 | | | | | | |
| 7-2 | B301A-V30-0000 | PULLEY ASSY. DRIVEN | 1 | CVT從動輪總成 | | | | | | |
| | B301A-V30-9000 | PULLEY ASSY. DRIVEN | 1 | CVT從動輪總成 | | | | | | |
| *7-2-1 | B2101-A04-0000 | OUTER CLUTCH | 1 | 離合器外殼 | | | | | | |
| | B2101-A04-9000 | OUTER CLUTCH | 1 | 離合器外殼 | | | | | | |
| *7-2-2 | I0202-A04-0000 | NUT SPECIAL 28 mm | 1 | 特殊螺帽28 mm | | | | | | |
| | I0202-A04-9000 | NUT SPECIAL 28 mm | 1 | 特殊螺帽28 mm | | | | | | |
| 7-2-3 | B2300-V30-0000 | PLATE ASSY. DRIVEN | 1 | 離合器組 | | | | | | |
| *7-2-3-1 | B2350-A04-0000 | PLATE COMP DRIVE | 1 | 離合器壓板組 | | | | | | |
| *7-2-3-2 | B2804-A04-0000 | ROLLER CLUTCH | 3 | 離合器滾柱 | | | | | | |
| *7-2-3-3 | B2401-A04-0000 | SPRING CLUTCH | 3 | 離合器彈簧 | | | | | | |
| *7-2-3-4 | B2530-V30-0000 | WEIGHT SET CLUTCH | 1 | 離合器配重 | | | | | | |
| *7-2-3-5 | B2361-A04-0000 | PLATE CLUTCH SIDE | 1 | 離合器側板 | | | | | | |
| *7-2-3-6 | I0605-A04-0000 | CIR CLIP 7 mm | 3 | 環夾7 mm | | | | | | |
| *7-2-4 | B3238-A04-0000 | COLLAR SPRING | 1 | 彈簧襯環 | | | | | | |
| *7-2-5 | B3233-A08-0000 | SPRING DRIVER FACE | 1 | CVT彈簧 | | | | | | |
| *7-2-6 | B3237-A04-0000 | COLLAR SEAL | 1 | 油封套筒 | | | | | | |
| *7-2-7 | I1351-A04-0000 | O-RING | 2 | O型環 | | | | | | |

| ITEM | PART NO. | NAME | Q'TY | 品名 | VIN NO | U.S | E.U | A.T | TW | A.S |
|-----------|-----------------|----------------------------|------|-------------|--------|-----|-----|-----|----|-----|
| 7 | | DRIVEN PULLEY (CVT) | | 驅動皮帶輪 | | | | | | |
| *7-2-8 | I1211-A04-0000 | SEAL DRIVEN FACE (34×41×4) | 2 | 油封 | | | | | | |
| *7-2-9 | B3225-A04-0000 | PIN GUIDE | 3 | CVT從動輪銷 | | | | | | |
| *7-2-10 | B3226-A04-0000 | ROLLER | 3 | 滾柱 | | | | | | |
| *7-2-11 | B3220-A04-0000 | FACE COMP MOVABLE DRIVEN | 1 | C.V.T被動輪組 | | | | | | |
| *7-2-12 | B3200-A04-0000 | FACE COMP DRIVEN | 1 | CVT從動輪組 | | | | | | |
| *7-2-12-1 | B3210-A04-0000 | FACE DRIVEN | 1 | 從動皮帶盤 | | | | | | |
| *7-2-12-2 | I1002-A04-69020 | BEARING BALL REDIAL 6902U | 1 | 軸承 6902U | | | | | | |
| *7-2-12-3 | I4520-28000 | CIRCLIP EX | 1 | NO:001 C型扣環 | | | | | | |
| *7-2-12-4 | I1001-A04-0000 | BEARING NEEDLE 20×29×18 | 1 | 滾針軸承 | | | | | | |
| 7-3 | B3100-A07-0000 | BELT DRIVE | 1 | 驅動皮帶 | | | | | | |
| 7-4 | | CANCEL,PREARRANGE | | 取消預留 | | | | | | |
| 7-5 | I4104-15023 | WASHER | 1 | NO:019 平墊圈 | | | | | | |
| 7-6 | B2102-A14-0000 | FACE DRIVE | 1 | CVT風扇 | | | | | | |
| 7-7 | B2105-A04-0000 | BOSS DRIVE FACE | 1 | 襯套 | | | | | | |
| 7-8 | B2110-A08-0000 | FACE ASSY. MOVABLE DRIVE | 1 | 主動輪總成(前CVT) | | | | | | |
| *7-8-1 | I4601-28000 | CLIP, PISTON PIN 28 mm | 2 | NO:004活塞銷扣環 | | | | | | |
| 7-8-2 | B2112-A04-0000 | BOSS FACE MOVABLE DRIVE | 1 | C.V.T主動輪套筒 | | | | | | |
| *7-8-3 | B2111-A04-0000 | FASE COMP MOVABLE DRIVE | 1 | C.V.T 主動輪 | | | | | | |

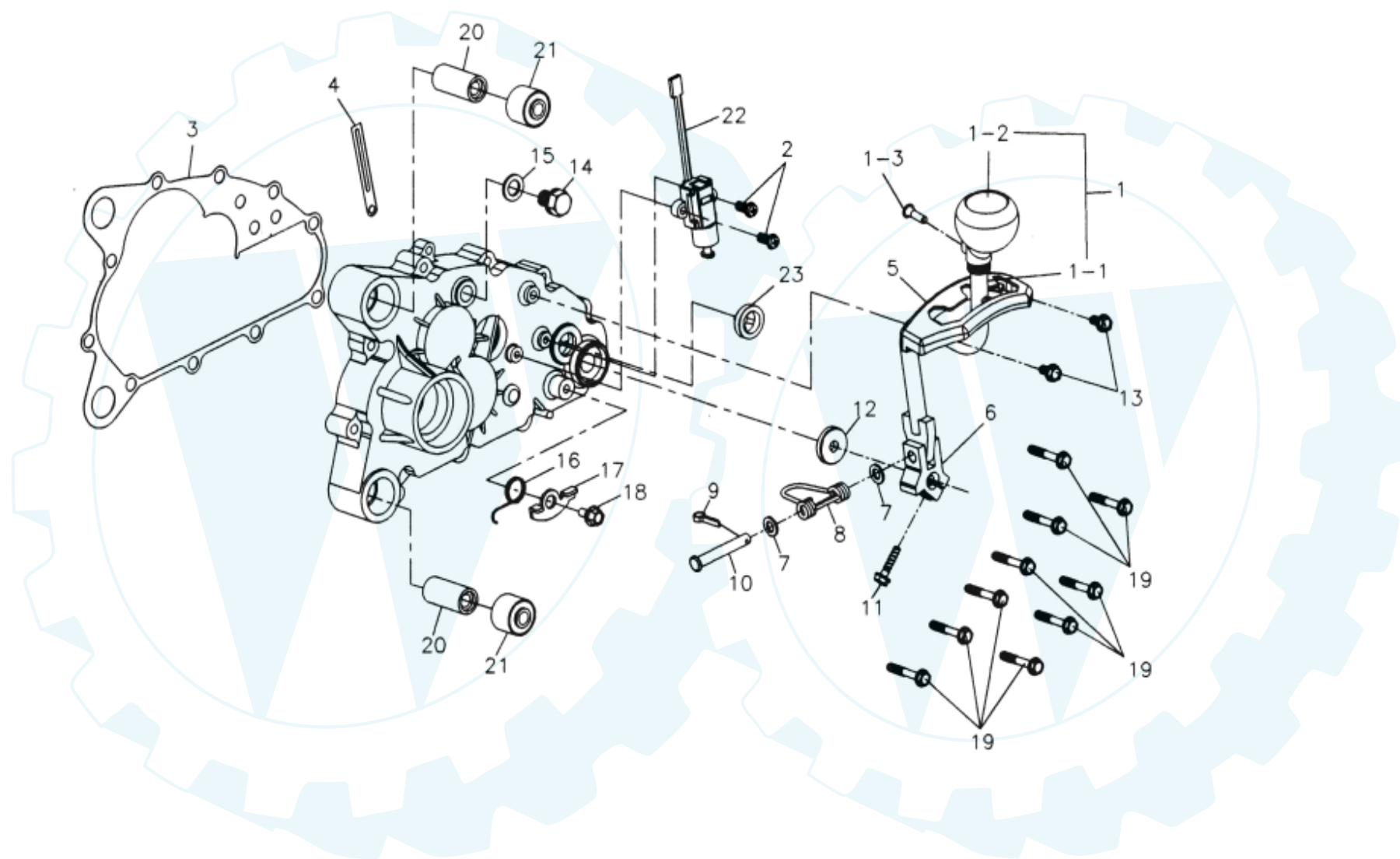
| ITEM | PART NO. | NAME | Q'TY | 品名 | VIN NO | U.S | E.U | A.T | TW | A.S |
|--------|----------------|--------------------------|------|------------|--------|-----|-----|-----|----|-----|
| 7 | | DRIVEN PULLEY (CVT) | | 驅動皮帶輪 | | | | | | |
| 7-8-4 | B2121-A08-0000 | ROLLER SET WEIGHT | 6 | 配重滾子 | | | | | | |
| 7-8-5 | B2132-A04-0000 | PIECE SLIDE | 3 | C.V.T滑槽片 | | | | | | |
| 7-8-6 | B2131-A04-0000 | PLATE RAMP | 1 | C.V.T滾柱導板 | | | | | | |
| 7-9 | B8211-A14-0002 | RATCHET KICK STARTER | 1 | 起動棘輪 | | | | | | |
| 7-10 | I4104-15104 | WASHER | 1 | NO:083 平墊圈 | | | | | | |
| 7-11 | B3240-V30-0000 | DISK CLUTCH FRICTON COMP | 1 | 摩擦片組 | | | | | | |
| 7-11-1 | B3241-V30-0000 | STOPPER PUMP | 1 | 固定座 | | | | | | |
| 7-11-2 | B3242-V30-0000 | STOPPER | 1 | 蓋板 | | | | | | |
| 7-11-3 | B3243-V30-0000 | CLUTCCH | 6 | 彈簧 | | | | | | |
| 7-11-4 | B3244-V30-0000 | BRAKE LINING | 6 | 來令塊 | | | | | | |
| 7-11-5 | I3501-V30-0000 | SCREW BUTTON HEAD CAP | 3 | 圓頭內六角螺絲 | | | | | | |
| 7-11-6 | I3502-V30-0000 | SCREW BUTTON HEAD CAP | 3 | 圓頭內六角螺絲 | | | | | | |

8. TRANSMISSION



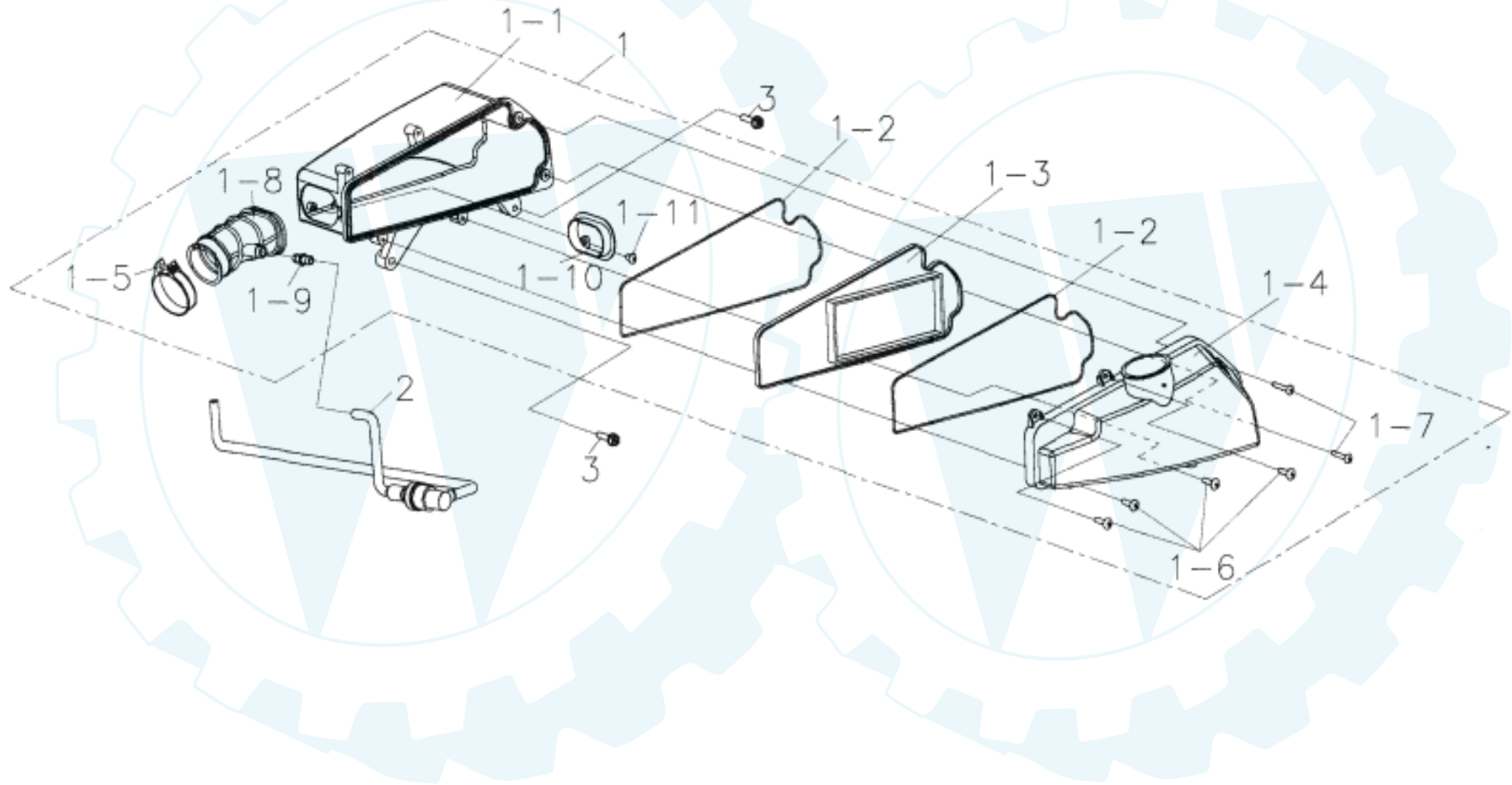
| ITEM | PART NO. | NAME | Q'TY | 品名 | VIN NO | U.S | E.U | A.T | TW | A.S |
|-----------|----------------|--------------------------|------|--------------|--------|-----|-----|-----|----|-----|
| 8 | | TRANSMISSION | | 傳動系 | | | | | | |
| 8-1 | B1300-V30-0900 | COVER MISSION | 1 | 齒輪箱蓋 | | | | | | |
| 8-2 | B3430-V30-0000 | SHAFT FINAL COMP | 1 | 最終軸組 | | | | | | |
| 8-3 | I1130-304217 | BEARING NEEDLE | 1 | NO:020 滾針軸承 | | | | | | |
| 8-4 | I1201-V30-0000 | OIL SEAL (30×40×5) | 1 | 油封 (30×40×5) | | | | | | |
| 8-5 | I6150-62053-10 | BRG BALL RADIAL | 1 | NO:036 滾珠軸承 | | | | | | |
| 8-6 | I4104-25210 | WASHER | 1 | NO:060 平墊圈 | | | | | | |
| 8-7 | I4510-25000 | CIRCLIP | 1 | NO:008 C型扣環 | | | | | | |
| 8-8 | I4520-52000 | CIRCLIP | 1 | NO:003 C型扣環 | | | | | | |
| 8-9 | B3801-V30-8000 | SPROCKET DRIVE(15T) | 1 | 傳動鏈輪(15T) | | | | | | |
| 8-10 | B3811-V30-0000 | PLATE FIXING | 1 | 鏈輪固定片 | | | | | | |
| 8-11 | I2201-06010-0C | BOLT, HEXAGON HEAD | 2 | NO:012 六角螺絲 | | | | | | |
| 8-12 | B3420-V30-9000 | COUNTER SHAFT COMP | 1 | 中間軸組 | | | | | | |
| *8-12-1 | B3421-V30-0000 | SHAFT COUNTER (15T) | 1 | 中間軸 | | | | | | |
| *8-12-2 | B3422-V30-9000 | GEAR COUNTER (41T) | 1 | 中間齒輪(41T) | | | | | | |
| 8-13 | I6100-63020 | BEARING, BALL, RADIAL | 1 | NO:034 滾珠軸承 | | | | | | |
| 8-14 | B3250-V30-9000 | SHAFT GEAR SHIFT COMP | 1 | 變檔軸組 | | | | | | |
| *8-14-1 | B3213-V30-0001 | COLLAR SHAFT | 1 | 軸套 | | | | | | |
| *8-14-2 | I4104-15110 | WASHER | 2 | NO:062 平墊圈 | | | | | | |
| *8-14-3 | B3440-V30-0000 | SPUR GEAR ASSY (36T) | 1 | 正檔齒輪組 (36T) | | | | | | |
| *8-14-3-1 | B3441-V30-9000 | SPUR GEAR (36T) | 1 | 正檔齒輪(36T) | | | | | | |
| *8-14-3-2 | B8113-V30-9000 | COLLAR SHAFT | 1 | 銅襯套 | | | | | | |
| *8-14-4 | B3481-V30-0000 | RATCHET SHIFT | 1 | 變檔棘輪 | | | | | | |
| *8-14-5 | I4510-22000 | CIRCLIP EX | 1 | NO:007 C型扣環 | | | | | | |
| *8-14-6 | I0454-22030 | WASHER B SPINE | 1 | NO:007 栓槽墊圈 | | | | | | |
| *8-14-7 | B3460-V30-0000 | GEAR COMP REVERSE | 1 | 倒檔齒輪組 | | | | | | |
| *8-14-7-1 | B3461-V30-0000 | GEAR REVERSE | 1 | 倒檔齒輪 | | | | | | |
| *8-14-7-2 | I1130-223013 | BEARING, NEEDLE | 1 | NO:021 滾針軸承 | | | | | | |
| *8-14-8 | I4104-22010 | WASHER | 1 | NO:061 平墊圈 | | | | | | |
| *8-14-9 | B3251-V30-9000 | SHAFT MAIN TRANSMISSION | 1 | 主傳動軸(17T) | | | | | | |
| *8-14-10 | I4540-15000 | CIRCLIP | 1 | NO:004 C型固定環 | | | | | | |
| *8-14-11 | I4104-15010A | WASHER | 1 | NO:082 平墊圈 | | | | | | |
| 8-15 | I6100-62043 | BEARING, BALL, RADIAL | 1 | NO:012 滾珠軸承 | | | | | | |
| 8-16 | B4231-V30-0000 | FORK SHIFT | 1 | 換檔叉片 | | | | | | |
| 8-17 | B4241-V30-0000 | SHAFT GEAR SHIFT | 1 | 換檔叉軸 | | | | | | |
| 8-18 | B4300-V30-0000 | DRUM COMP GEAR SHIFT | 1 | 換檔鼓組 | | | | | | |
| *8-18-1 | B4301-V30-0000 | DRUM GEAR SHIFT | 1 | 換檔鼓 | | | | | | |
| *8-18-2 | B4302-V30-0000 | GEAR DRUM GEAR SHIFT | 1 | 換檔鼓齒輪 | | | | | | |
| *8-18-3 | I4104-13110 | WASHER | 1 | NO:063 平墊圈 | | | | | | |
| *8-18-4 | B4303-V30-0000 | SPRING GEAR SHIFT RETURN | 1 | 換檔鼓彈簧 | | | | | | |
| *8-18-5 | B4304-V30-0000 | COLLAR SHAFT | 1 | 軸套 | | | | | | |
| 8-19 | B461A-V30-0000 | SPINDLE ASSY SHIFT | 1 | 換檔器總成 | | | | | | |
| *8-19-1 | B4610-V30-0000 | SPINDLE COMP SHIFT | 1 | 換檔器組 | | | | | | |
| *8-19-2 | I4540-1201A | CIRCLIP | 2 | NO:003 E型扣環 | | | | | | |
| 8-20 | I4301-10140 | KNOCK PIN | 2 | NO:009 定位銷 | | | | | | |

9. GEAR SHAFT LEVER \ SAFETY SWITCH



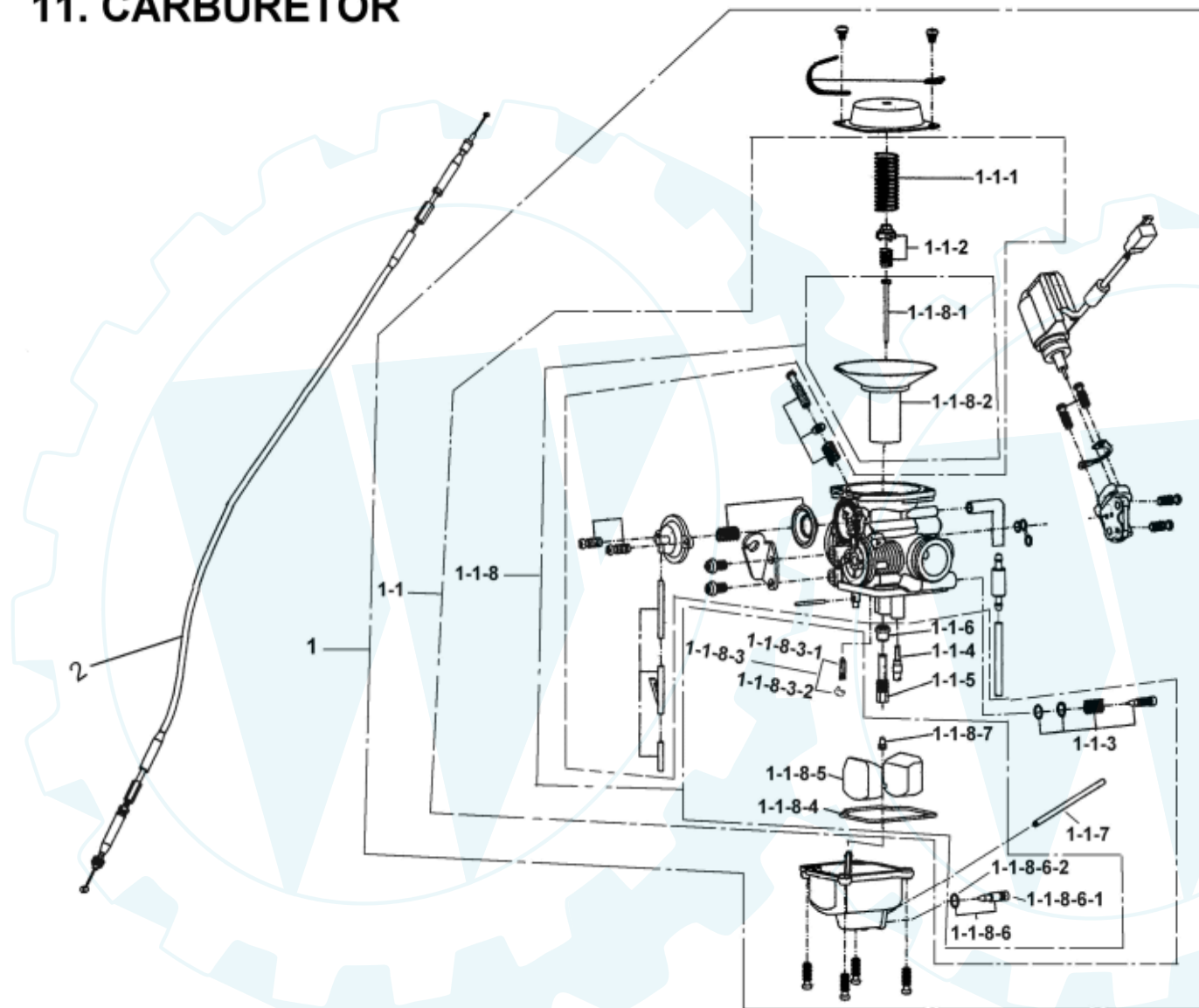
| ITEM | PART NO. | NAME | Q'TY | 品名 | VIN NO | U.S | E.U | A.T | TW | A.S |
|--------|----------------|---------------------------------|------|--------------------|--------|-----|-----|-----|----|-----|
| 9 | | GEAR SHAFT LEVER, SAFETY SWITCH | | 變檔桿，安全開關 | | | | | | |
| 9-1 | B4640-V30-0001 | SHAFT COMP ROD | 1 | 變檔桿組 | | | | | | |
| *9-1-1 | B4641-V30-0001 | ROD SHIFT | 1 | 變檔桿 | | | | | | |
| *9-1-2 | B4642-V30-0000 | HANDLE PLASTICS | 1 | 變檔把手 | | | | | | |
| *9-1-3 | I3600-06020-0G | SCREW FLAT | 1 | NO:002平頭十字螺絲 | | | | | | |
| 9-2 | I3892-05016-0C | SCREW WASHER | 2 | NO:005 圓頭十字螺絲+波形墊圈 | | | | | | |
| 9-3 | B1395-V30-0000 | GASKET MISSION COVER | 1 | 齒輪箱蓋墊片 | | | | | | |
| 9-4 | C2963-A09-0000 | CLAMPER PULSER CORD | 1 | 線夾 | | | | | | |
| 9-5 | B4622-V30-0000 | FIXED SUPPORT CATCH | 1 | 檔位固定座 | | | | | | |
| 9-6 | B4643-V30-0000 | FIXED SUPPORT ROD COMP SHIFT | 1 | 變檔桿固定座 | | | | | | |
| 9-7 | I4104-08515 | WASHER | 2 | NO:064 平墊圈 | | | | | | |
| 9-8 | B4644-V30-0000 | SPRING ROD SHIFT | 1 | 變檔桿彈簧 | | | | | | |
| 9-9 | I4201-46195 | SPLIT PIN | 1 | NO:002 開口銷 | | | | | | |
| 9-10 | B4645-V30-0000 | PIN ROD SHIFT | 1 | 變檔桿銷 | | | | | | |
| 9-11 | I5701-06025-0C | BOLT , HEXAGON HEAD | 1 | NO:011 六角帶頭螺栓 | | | | | | |
| 9-12 | I1206-A00-0000 | OIL SEAL (14×28×7) | 1 | 油封 (14×28×7) | | | | | | |
| 9-13 | I5801-06012-0C | BOLT, HEXAGON HEAD | 2 | NO:022 六角帶頭螺栓 | | | | | | |
| 9-14 | I2800-12015-0C | DRAIN PLUG BOLT | 1 | NO:002 洩油塞頭螺栓 | | | | | | |
| 9-15 | I4104-12120 | WASHER | 1 | NO:049 平墊圈 | | | | | | |
| 9-16 | B4624-V30-0000 | SPRING TRANSMISSION PLANK | 1 | 傳動板彈簧 | | | | | | |
| 9-17 | B4623-V30-0000 | PLATE TRANSMISSION | 1 | 傳動板 | | | | | | |
| 9-18 | I5701-06010-0C | BOLT , HEXAGON HEAD | 1 | NO:027 六角帶頭螺栓 | | | | | | |
| 9-19 | I5701-06040-0C | BOLT , HEXAGON HEAD | 10 | NO:013 六角帶頭螺栓 | | | | | | |
| 9-20 | A8254-V30-0000 | BOSS (B) | 2 | 襯套40mm | | | | | | |
| 9-21 | A1103-V30-0000 | RUBBER BUSH ENGINE HANGER | 2 | 懸吊橡膠襯套 | | | | | | |
| 9-22 | C510A-V30-0000 | SAFETY SWITCH ASSY. | 1 | 安全開關組 | | | | | | |
| 9-23 | A1332-A09-0000 | GAUGE OIL LEVEL | 1 | 油門視窗 | | | | | | |

10. AIR CLEANER



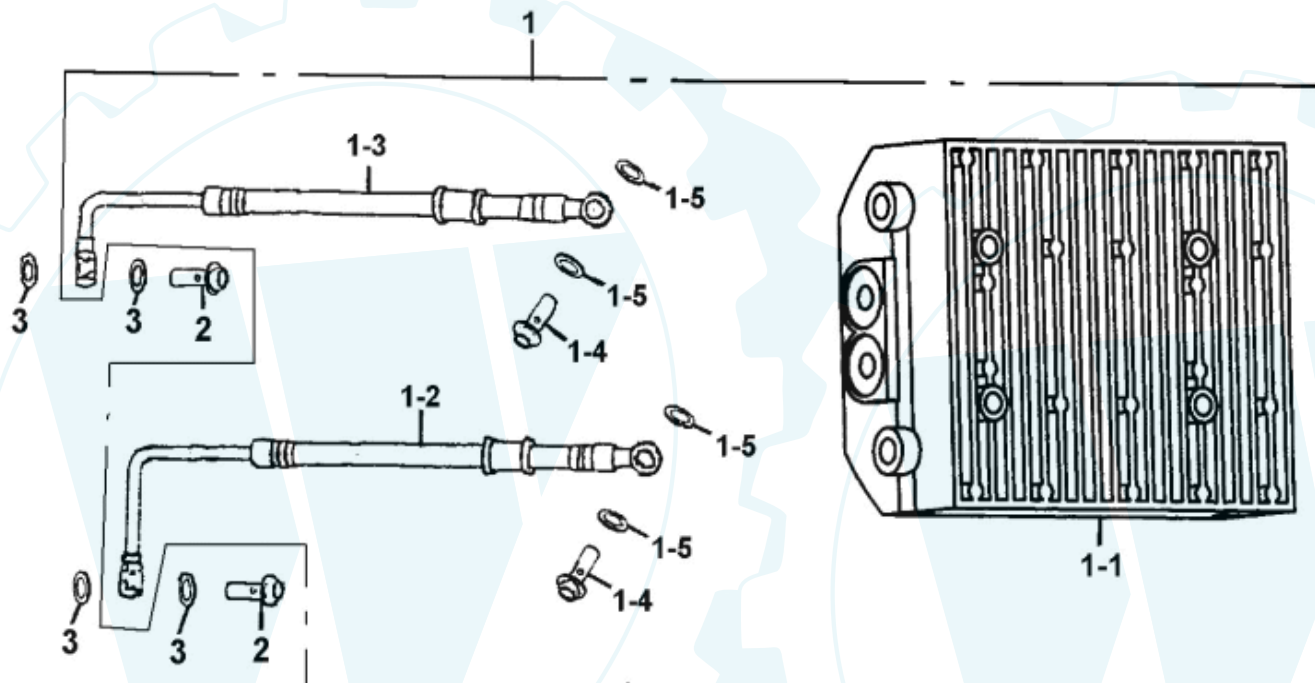
| ITEM | PART NO. | NAME | Q'TY | 品名 | VIN NO | U.S | E.U | A.T | TW | A.S |
|----------|----------------|----------------------------------|------|-----------------|--------|-----|-----|-----|----|-----|
| 10 | | AIR CLEANER | | 空氣濾清器 | | | | | | |
| 10-1 | A720A-V30-0001 | AIR CLEANER ASSY . | 1 | 空氣濾清器總成 | | | | | | |
| *10-1-1 | A7230-V30-0001 | CASE AIR CLEANER | 1 | 空氣濾清器箱 | | | | | | |
| *10-1-2 | A7214-A11-0000 | SEAL AIR CLEANER COVER | 2 | 空氣濾清器蓋油封 | | | | | | |
| 10-1-3 | A7205-A12-0000 | FILTER PAPER ASSY. | 1 | 濾紙總成 | | | | | | |
| *10-1-4 | A7231-V30-0001 | COVER AIR CLEANER | 1 | 空氣濾清器蓋 | | | | | | |
| *10-1-5 | A7256-A04-0000 | BAND AIR CLEANER CONNECTING TUBE | 1 | 連接管固定帶 | | | | | | |
| *10-1-6 | I3903-320B0 | SELF-TAPPING SCREW (φ5×20) | 4 | NO:007自攻螺絲 | | | | | | |
| *10-1-7 | I3903-430B0 | SELF-TAPPING SCREW (φ5×32) | 2 | NO:008自攻螺絲 | | | | | | |
| *10-1-8 | A7253-V30-0000 | AIR CLEANER CONNECTING TUBE | 1 | 連接管 | | | | | | |
| *10-1-9 | A7364-A11-0000 | B TUBE BERATHER | 1 | 通氣管 (B) | | | | | | |
| *10-1-10 | A7233-V30-0000 | BAND CONNECTI OG TUBE | 1 | 連接管固定片 | | | | | | |
| *10-1-11 | I3903-310B0 | TAPPING SCREW PAN | 1 | NO:006 圓頭十字自攻螺絲 | | | | | | |
| 10-2 | A736A-V30-9001 | GAS WASTE RECOVERY | 1 | 曲軸箱廢氣回收器 | | | | | | |
| 10-3 | I5701-06025-0C | BOLT , HEXAGON HEAD (M6×25) | 2 | NO:011 六角帶頭螺栓 | | | | | | |

11. CARBURETOR



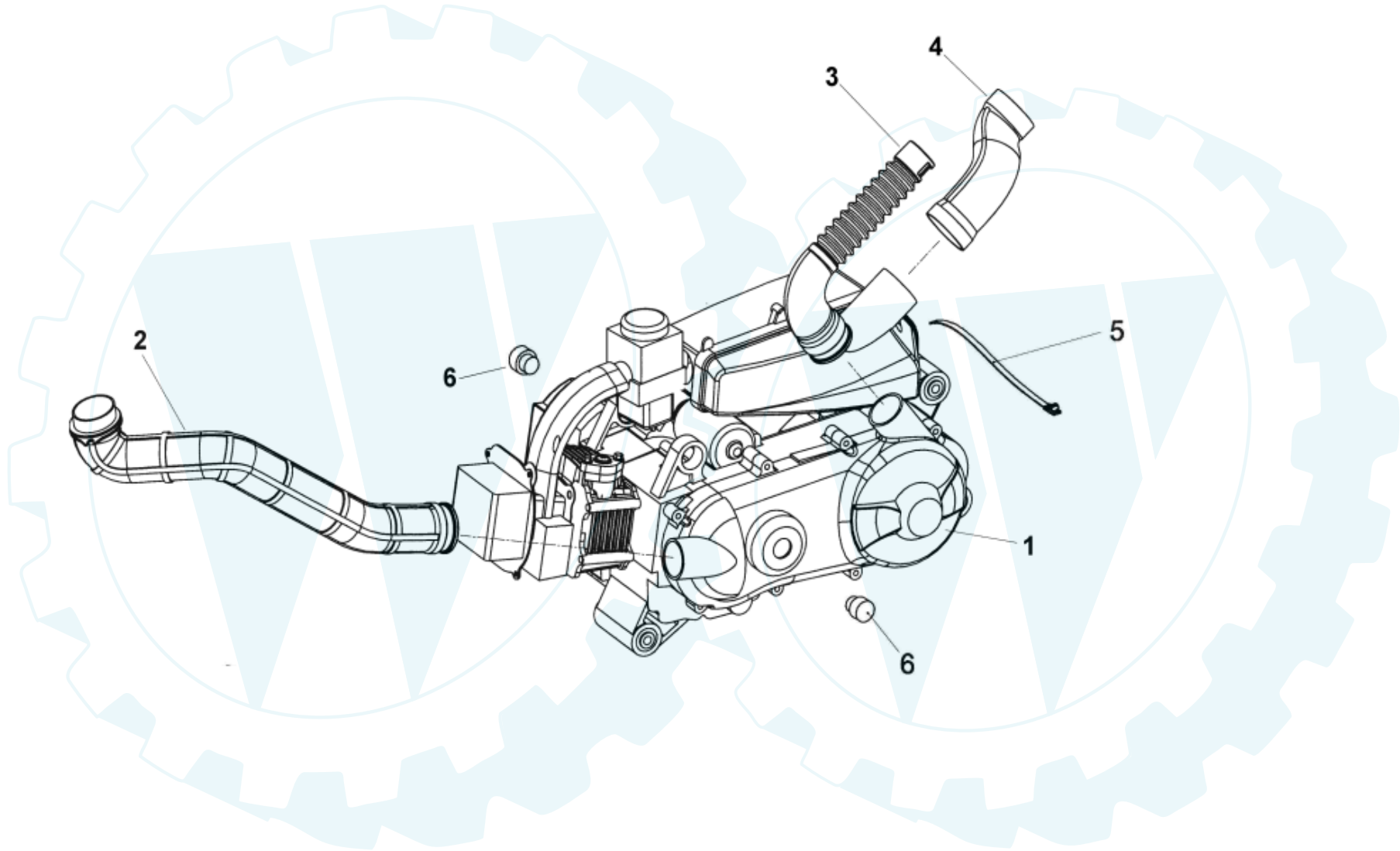
| ITEM | PART NO. | NAME | Q'TY | 品名 | VIN NO | U.S | E.U | A.T | TW | A.S |
|---------------|----------------|---------------------------|------|--------------|--------|-----|-----|-----|----|-----|
| 11 | | CARBURETOR | | | | | | | | |
| 11-1 | A610A-V30-0000 | CARBURETOR ASSY. | 1 | 化油器總成 | | | | | | |
| 11-1-1 | A6100-V30-A001 | MAINTENANCE KIT 1 | 1 | 化油器小修包1 | | | | | | |
| *11-1-1-1 | KAB73710 | THROTTLE VALVE SPRING | 1 | 活塞彈簧 | | | | | | |
| *11-1-1-2 | KAB43610 | CLIP | 1 | 彈簧承座 | | | | | | |
| *11-1-1-3 | KAB40G04 | AIR ADJUSTING SCREW ASSY. | 1 | 油氣栓總成 | | | | | | |
| *11-1-1-4 | KAB73010 | SLOW JET (*35) | 1 | 低速噴嘴 (*35) | | | | | | |
| *11-1-1-5 | KAB73110 | NEEDLE JET HOLDER (*SG5A) | 1 | 主霧化管(*SG5A) | | | | | | |
| *11-1-1-6 | KAB42910 | NEEDLE JET | 1 | 噴嘴閥座 | | | | | | |
| *11-1-1-7 | KAB86310 | PIPE (*425mm) | 1 | 洩油膠管(*425mm) | | | | | | |
| 11-1-1-8 | A6100-V30-A002 | MAINTENANCE KIT 2 | 1 | 化油器小修包2 | | | | | | |
| *11-1-1-8-1 | KAB73320 | JET NEEDLE (*SG5A) | 1 | 閥針總成 (*SG5A) | | | | | | |
| *11-1-1-8-2 | KAB43440 | THROTTLE VALVE ASSY. | 1 | 真空活塞組 | | | | | | |
| *11-1-1-8-3 | KAB4CC20 | NEEDLE VALVE ASSY. | 1 | 針閥調整 | | | | | | |
| *11-1-1-8-3-1 | KAB42130 | NEEDLE VALVE ASSY. | 1 | 針閥總成 | | | | | | |
| *11-1-1-8-3-2 | KAB42210 | FLOAT O-RING | 1 | 浮筒扣環 | | | | | | |
| *11-1-1-8-4 | KAB45710 | CHAMBER O-RING | 1 | 底蓋方型環 | | | | | | |
| *11-1-1-8-5 | KAB42310 | FLOAT ASSY. | 1 | 浮筒總成 | | | | | | |
| *11-1-1-8-6 | KAB61520 | DRAIN SCREW ASSY. | 1 | 洩油螺栓總成 | | | | | | |
| *11-1-1-8-6-1 | KAA13510 | DRAIN SCREW | 1 | 洩油螺栓 | | | | | | |
| *11-1-1-8-6-2 | KAA13610 | DRAIN O-RING | 1 | 洩油O型環 | | | | | | |
| *11-1-1-8-7 | KAB83210 | MAIN JET (*104) | 1 | 主噴油嘴(*104) | | | | | | |
| 11-2 | A7910-V30-0000 | CABLE ASSY. | 1 | 加油導線總成 | | | | | | |

12. OIL COOLER



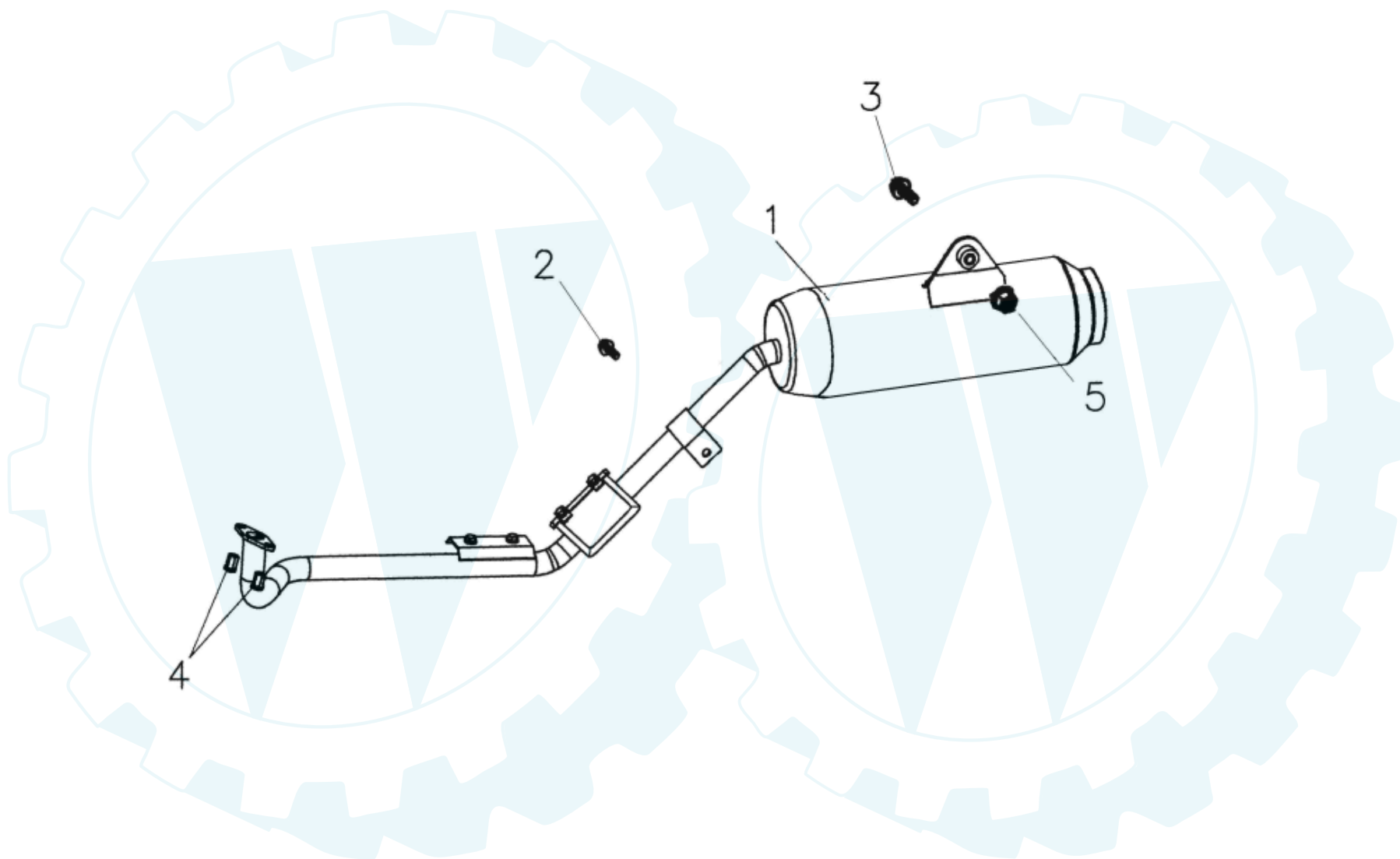
| ITEM | PART NO. | NAME | Q'TY | 品名 | VIN NO | U.S | E.U | A.T | TW | A.S |
|--------|----------------|-------------------------|------|------------|--------|-----|-----|-----|----|-----|
| 12 | | OIL COOLER | | | | | | | | |
| 12-1 | I902A-V30-9001 | COOLER COMP OIL ASSY. | 1 | 機油冷卻總成(大) | | | | | | |
| 12-1-1 | I9020-V30-9900 | COOLER COMP OIL COATING | 1 | 冷卻器(皮膜處理) | | | | | | |
| 12-1-2 | A9121-V30-0002 | OIL HOSE COMP INLET | 1 | 進油管 | | | | | | |
| 12-1-3 | A9122-V30-0002 | OIL HOSE COMP OUTLET | 1 | 出油管 | | | | | | |
| 12-1-4 | I0002-V30-0000 | BOLT B OIL PASS | 2 | 油管螺栓 | | | | | | |
| 12-1-5 | I4104-12514 | WASHER | 4 | NO:048 平墊圈 | | | | | | |
| 12-2 | I0002-V30-0000 | BOLT B OIL PASS | 2 | 油管螺栓 | | | | | | |
| 12-3 | I4104-12514 | WASHER | 4 | NO:048 平墊圈 | | | | | | |

13. ENGINE



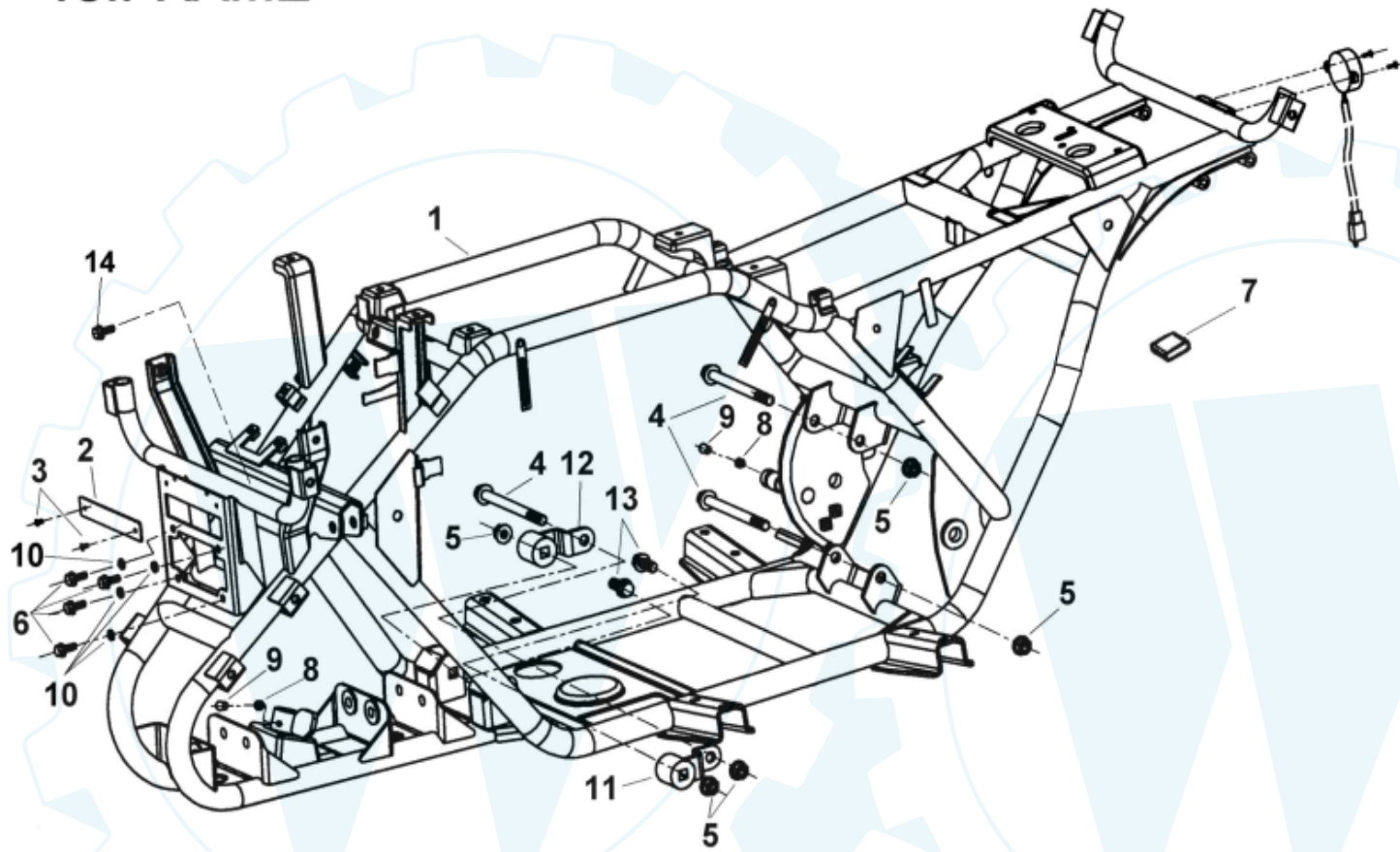
| ITEM | PART NO. | NAME | Q'TY | 品名 | VIN NO | U.S | E.U | A.T | TW | A.S |
|------|-----------------|--------------------|------|----------|--------|-----|-----|-----|----|-----|
| 13 | | ENGINE ATV | | | | | | | | |
| 13-1 | AA000-V30-6000 | ENGINE ATV | 1 | 引擎總成 | | | | | | |
| 13-2 | B0100-FIA0-0000 | INLET TUBE , CVT | 1 | CVT進氣管總成 | | | | | | |
| 13-3 | B0200-FIA0-0000 | EXH TUBE , CVT | 1 | CVT排氣管總成 | | | | | | |
| 13-4 | A7215-V30-0000 | AIR/C CASE DUCT | 1 | 空濾器進氣管 | | | | | | |
| 13-5 | H3936-5AA0-0000 | WIRE CLAMP | 1 | 線束帶 | | | | | | |
| 13-6 | A1105-FIA0-0000 | ENGINE RUBBER PLUG | 2 | 引擎橡膠塞 | | | | | | |

14. MUFFLER



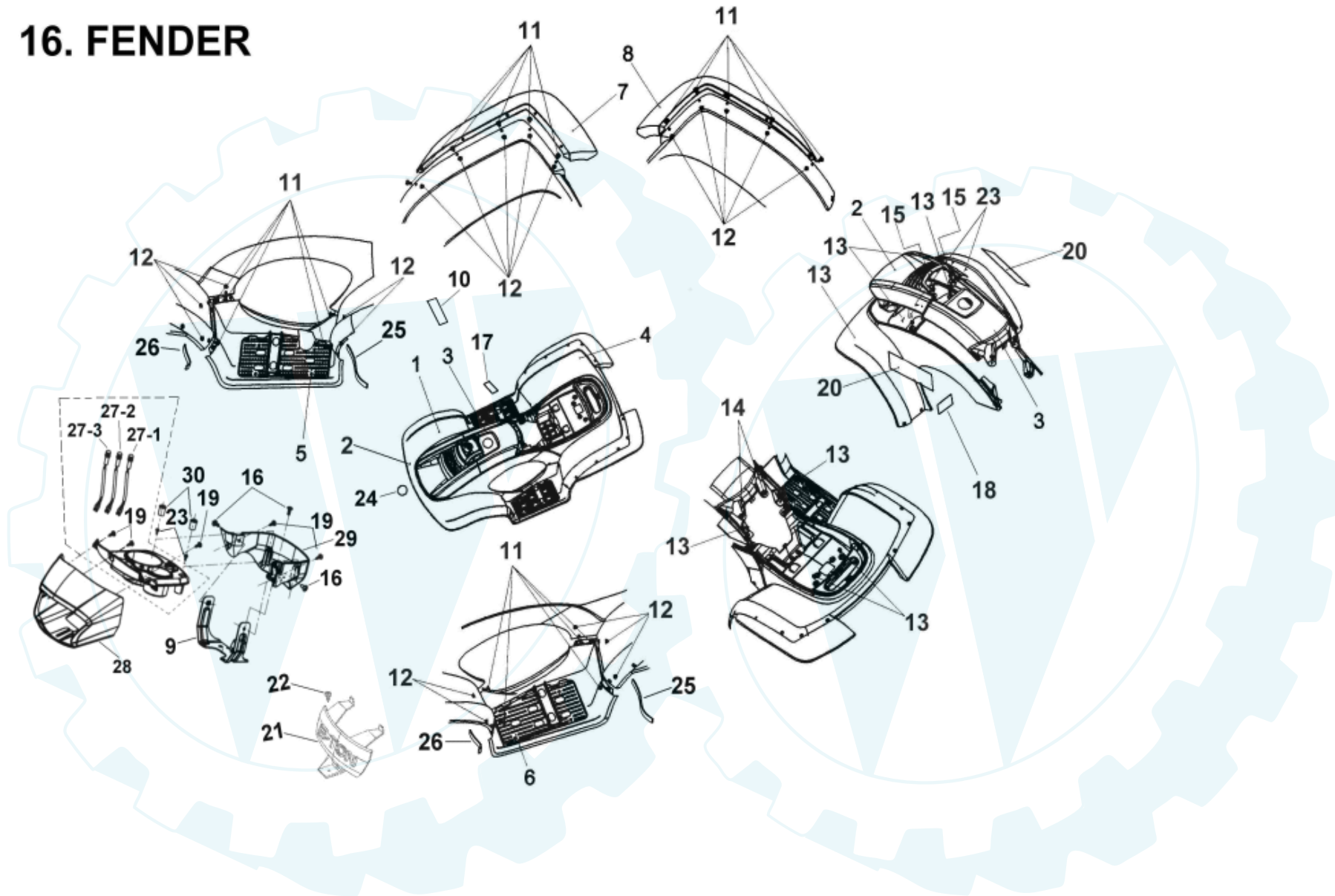
| ITEM | PART NO. | NAME | Q'TY | 品名 | VIN NO | U.S | E.U | A.T | TW | A.S |
|------|-----------------|-------------------------------|------|---------|--------|-----|-----|-----|----|-----|
| 14 | | MUFFLER ASSY. | | | | | | | | |
| 14-1 | A830A-FIC0-9000 | EXHAUST PIPE ASSY. | 1 | 排氣管總成 | | | | | | |
| 14-2 | I7507-FIA0-0000 | BOLT,HEXAGON HEAD WITH WASHER | 1 | 六角螺栓附墊圈 | | | | | | |
| 14-3 | I0149-08036-01 | BOLT ,FLANGE | 1 | 凸緣螺栓 | | | | | | |
| 14-4 | I0179-06850 | NUT | 2 | 排氣管螺帽 | | | | | | |
| 14-5 | I5611-08200 | NUT,FLANGE CHECK(M8) | 1 | 凸緣防鬆螺帽 | | | | | | |

15.FRAME



| ITEM | PART NO. | NAME | Q'TY | 品名 | VIN NO | U.S | E.U | A.T | TW | A.S |
|-------|-----------------|--------------------------------|------|-------------|--------|-----|-----|-----|----|-----|
| 15 | | FRAME | | | | | | | | |
| 15-1 | E0100-FIC0-9000 | FRAME COMP. | 1 | 車架總成 | | | | | | |
| 15-2 | H7501-FIC0-0000 | EMBLEM | 1 | 銘牌 | | | | | | |
| 15-3 | H750A-5BA1-0000 | FIX NAIL | 2 | 拉釘(ψ3.5×9) | | | | | | |
| 15-4 | E0351-5EA0-0000 | ENGINE SET BOLT(M10×115) | 3 | 引擎裝置螺栓 | | | | | | |
| 15-5 | I5611-10200 | NUT,FLANGE CHECK | 5 | 凸緣防鬆螺帽 | | | | | | |
| 15-6 | I2501-06080-0B | BOLT,HEXAGON HEAD | 4 | 六角螺栓 | | | | | | |
| 15-7 | G7223-5EB0-0000 | RUBBER PAD | 1 | 防震橡膠塊 | | | | | | |
| 15-8 | I6600-06000 | GREASE VALVE(1/4") | 2 | 黃油嘴(1/4") | | | | | | |
| 15-9 | E0209-5EA0-0000 | CAP, GREASE VALVE | 2 | 黃油嘴蓋 | | | | | | |
| 15-10 | I2140-60001 | WASHER | 4 | 墊圈 | | | | | | |
| 15-11 | E0350-FIA0-0000 | ENGINE SUSPENSION ASSY. ,LEFT | 1 | 引擎懸吊裝置總成(左) | | | | | | |
| 15-12 | E0353-FIA0-0000 | ENGINE SUSPENSION ASSY. ,RIGHT | 1 | 引擎懸吊裝置總成(右) | | | | | | |
| 15-13 | E0352-FIA0-0000 | SCREW,BUTTON HEAD CAP | 2 | 圓頭四角螺絲 | | | | | | |
| 15-14 | I5827-08030 | BOLT,FLANGE | 1 | 六角螺絲 | | | | | | |

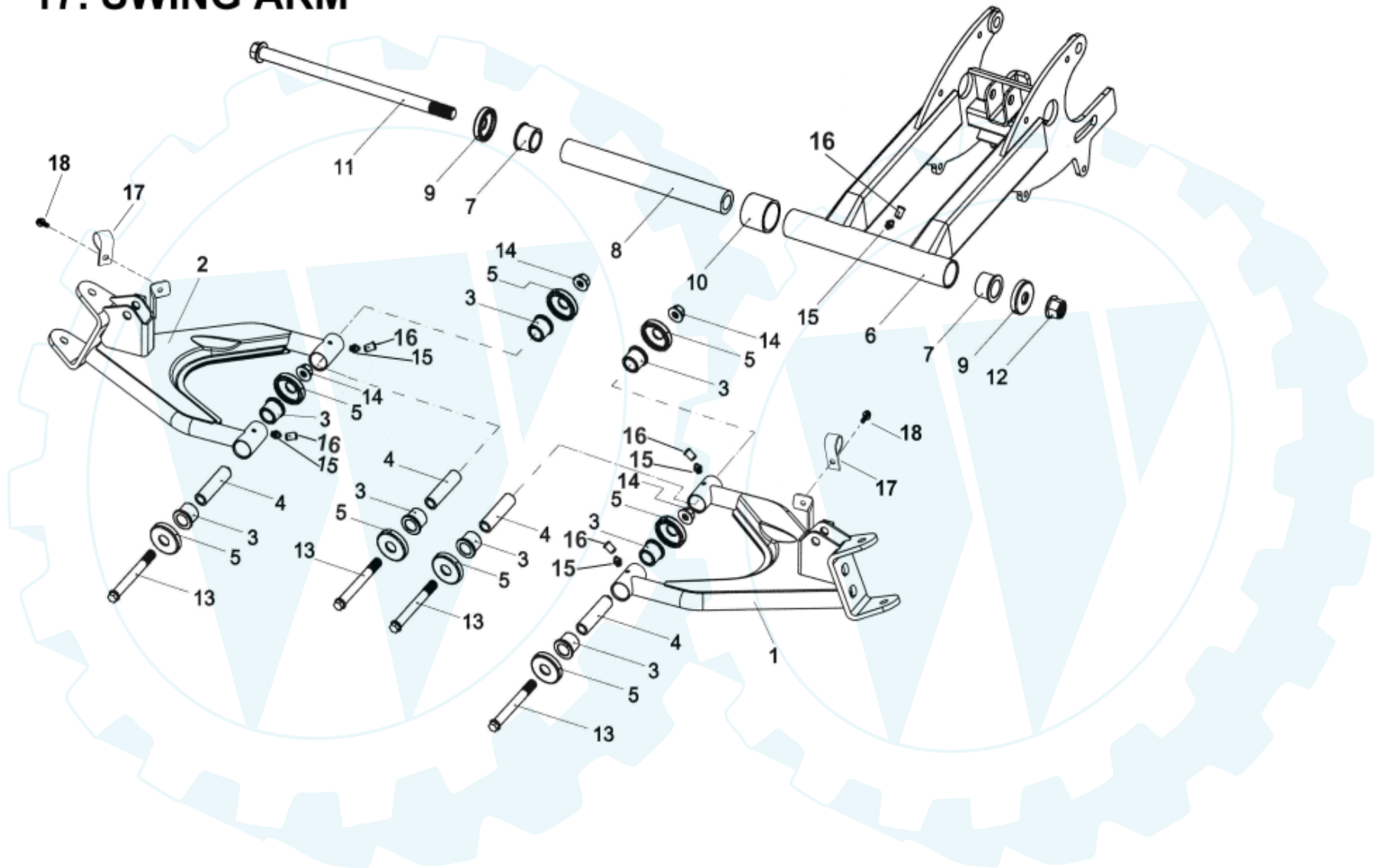
16. FENDER



| ITEM | PART NO. | NAME | Q'TY | 品名 | VIN NO | U.S | E.U | A.T | TW | A.S |
|-------|-----------------|----------------------------|------|-------------|--------|-----|-----|-----|-----|-----|
| 16 | | FENDER | | | | | | | | |
| 16-1 | F4300-FIB0-4200 | FRONT FENDER (RED) | 1 | 前擋泥板(紅) | | N/A | | N/A | N/A | |
| | F4300-FIB0-5400 | FRONT FENDER (BLUE) | 1 | 前擋泥板(藍) | | N/A | | N/A | N/A | |
| | F4300-FIB0-0700 | FRONT FENDER (SILVER) | 1 | 前擋泥板(銀) | | N/A | | N/A | N/A | |
| | F4300-FIB0-2500 | FRONT FENDER (GREEN) | 1 | 前擋泥板(綠) | | N/A | | N/A | N/A | |
| | F4300-FIB0-0C00 | FRONT FENDER (CAMO) | 1 | 前擋泥板(迷彩) | | N/A | | N/A | N/A | |
| 16-2 | F4301-FIA0-0800 | FRONT CENTRAL COVER(BLACK) | 1 | 前中心蓋(黑) | | N/A | | N/A | N/A | |
| 16-3 | F4302-FIA0-0800 | REAR CENTRAL COVER (BLACK) | 1 | 後中心蓋(黑) | | N/A | | N/A | N/A | |
| 16-4 | H3500-FIA0-4200 | REAR FENDER(RED) | 1 | 後擋泥蓋(紅) | | N/A | | N/A | N/A | |
| | H3500-FIA0-5400 | REAR FENDER(BLUE) | 1 | 後擋泥蓋(藍) | | N/A | | N/A | N/A | |
| | H3500-FIA0-0700 | REAR FENDER(SILVER) | 1 | 後擋泥蓋(銀) | | N/A | | N/A | N/A | |
| | H3500-FIA0-2500 | REAR FENDER(GREEN) | 1 | 後擋泥蓋(綠) | | N/A | | N/A | N/A | |
| | H3500-FIA0-0C00 | REAR FENDER(CAMO) | 1 | 後擋泥蓋(迷彩) | | N/A | | N/A | N/A | |
| 16-5 | H3520-FIA0-0800 | FOOTREST, RIGHT | 1 | 右置腳踏板(黑) | | N/A | | N/A | N/A | |
| 16-6 | H3620-FIA0-0800 | FOOTREST, LEFT | 1 | 左置腳踏板(黑) | | N/A | | N/A | N/A | |
| 16-7 | H3720-FIA0-0800 | TRIM,REAR RIGHT | 1 | 右後護片(黑) | | N/A | | N/A | N/A | |
| 16-8 | H3820-FIA0-0800 | TRIM,REAR LEFT | 1 | 左後護片(黑) | | N/A | | N/A | N/A | |
| 16-9 | C7203-5PA0-0000 | SPEEDOMETER BRACKET ASSY. | 1 | 儀表板固定座 | | | | | | |
| 16-10 | F4315-FIC0-0000 | RUBBER PAD | 1 | 塑件隔熱海棉 | | | | | | |
| 16-11 | E0117-9EA0-0000 | BUTTON HEAD SCREW(M6×18) | 20 | 扁圓頭螺絲 | | | | | | |
| 16-12 | I5611-06200-0G | NUT ,CHECK | 20 | 防鬆螺帽 | | | | | | |
| 16-13 | I0119-06821 | BOLT,HEXAGON(M6×20) | 8 | 六角螺栓(M6×20) | | | | | | |
| 16-14 | I0149-06035 | BOLT ,FLANGE (M6×35) | 2 | 凸緣螺栓 | | | | | | |
| 16-15 | I8310-FIA0-0000 | PLASTICS SCREW | 2 | 塑膠螺絲 | | | | | | |
| 16-16 | E0117-9EA0-0000 | SCREW,BUTTON HEAD (M6×18) | 3 | 扁圓頭螺絲 | | | | | | |
| 16-17 | H7129-FIA0-0000 | STICKER,INDICATE GEAR | 1 | 排擋指示貼紙 | | | | | | |
| 16-18 | H7100-5FA0-0000 | LABEL TIRE, WARNING | 1 | 胎壓警告貼紙 | | | | | | |

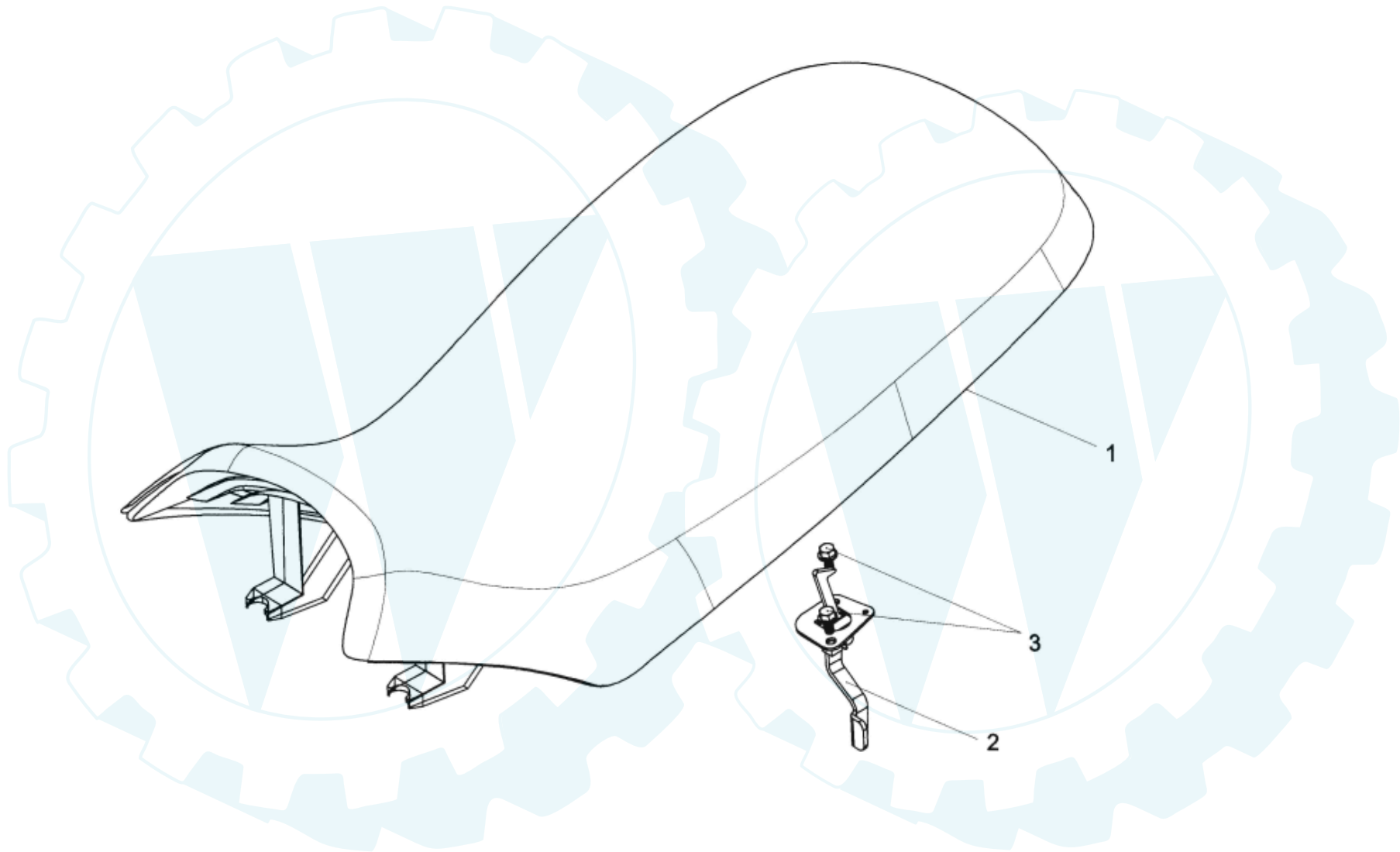
| ITEM | PART NO. | NAME | Q'TY | 品名 | VIN NO | U.S | E.U | A.T | TW | A.S |
|---------|-----------------|----------------------------|------|-------------|--------|-----|-----|-----|-----|-----|
| 16 | | FENDER | | | | | | | | |
| 16-19 | I2804-04013-5C | SCREW(M4x13) | 5 | 自攻螺絲(M4×13) | | | | | | |
| 16-20 | H7103-FIC1-0000 | STICKER,YUKON ST.EXL150 | 2 | 車身貼紙EXL150 | | | | | | |
| 16-21 | F4303-FIB0-0800 | HAED LIGHT COVER | 1 | 大燈封蓋 | | | | | | |
| 16-22 | I2804-04010-5C | SELF-TAPPING SCREW | 1 | 自攻螺絲(M4×10) | | | | | | |
| 16-23 | I7707-04016 | SELF-TAPPING SCREW | 4 | 自攻螺絲M4×16 | | | | | | |
| 16-24 | H7107-5EB0-0000 | EMBLEM,E-TON LOGO(SILVER) | 1 | 益通銘牌 | | N/A | | N/A | N/A | |
| 16-25 | H8806-FIC0-0000 | FOAM STICK (A) | 2 | 海棉橡膠條A | | | | | | |
| 16-26 | H8807-FIC0-0000 | FOAM STICK (B) | 2 | 海棉橡膠條B | | | | | | |
| 16-27 | E3205-FIC0-0800 | COVER,HANDLE BAR UP(BLACK) | 1 | 手把上蓋(黑色) | | | | | | |
| 16-27-1 | C3101-FIA0-0000 | BULB(RED) | 1 | 燈炮(紅色) | | | | | | |
| 16-27-2 | C3102-FIA0-0000 | BULB(BLUE) | 1 | 燈炮(藍色) | | | | | | |
| 16-27-3 | C3103-FIA0-0000 | BULB(GREEN) | 1 | 燈炮(綠色) | | | | | | |
| 16-28 | F3100-5PA0-4200 | HEAD LIGHT, GUARD(RED) | 1 | 頭燈罩(紅) | | | | | | |
| | F3100-5PA0-5400 | HEAD LIGHT, GUARD(BLUE) | 1 | 頭燈罩(藍) | | | | | | |
| | F3100-5PA0-0700 | HEAD LIGHT, GUARD(SILVER) | 1 | 頭燈罩(銀) | | | | | | |
| | F3100-5PA0-2500 | HEAD LIGHT, GUARD(GREEN) | 1 | 頭燈罩(綠) | | | | | | |
| | F3100-5PA0-0C00 | HEAD LIGHT, GUARD (CAM0) | 1 | 頭燈罩(迷彩) | | | | | | |
| 16-29 | E3206-5PA0-0800 | HANDLE COVER,LOWER(BLACK) | 1 | 手把下蓋 | | | | | | |
| 16-30 | H3502-5PA0-0000 | CAP | 2 | 塞頭 | | | | | | |

17. SWING ARM

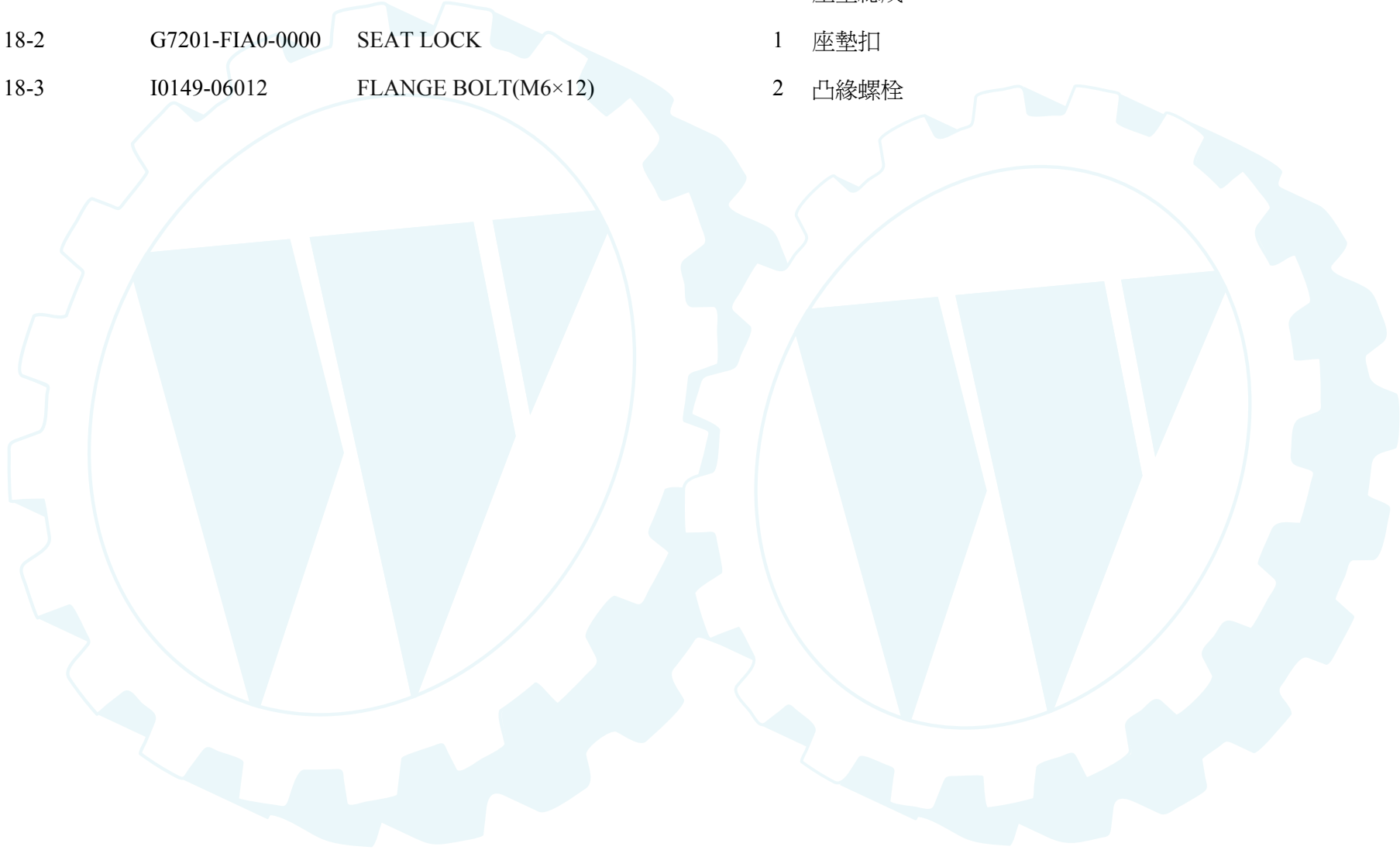


| ITEM | PART NO. | NAME | Q'TY | 品名 | VIN NO | U.S | E.U | A.T | TW | A.S |
|-------|-----------------|-----------------------------------|------|-------------|--------|-----|-----|-----|----|-----|
| 17 | | SWING ARM | | | | | | | | |
| 17-1 | E0200-FIA0-9000 | ARM, SUSPENSION, L.H. | 1 | 左A臂總成 | | | | | | |
| 17-2 | E0210-FIA0-9000 | ARM, SUSPENSION, R.H. | 1 | 右A臂總成 | | | | | | |
| 17-3 | E0201-FIA0-0000 | BUSH, ARM SUSPENSION | 8 | A臂含油襯套 | | | | | | |
| 17-4 | E0209-FIA0-0000 | SPACER | 4 | A臂套筒(短) | | | | | | |
| 17-5 | E2205-4HA0-0000 | SWING ARM SEAL COVER | 8 | 封蓋 | | | | | | |
| 17-6 | E220A-FIB0-9000 | SWING ARM SUB ASSY. | 1 | 後叉總成 | | | | | | |
| 17-7 | E2208-5EA0-0000 | SWING ARM OIL LINER(φ20) | 2 | 後叉含油襯套 | | | | | | |
| 17-8 | E2209-FIA0-0000 | SPACER | 1 | 後叉套筒(長) | | | | | | |
| 17-9 | E2205-5EA0-0000 | SWING ARM SEAL COVER | 2 | 後叉封套 | | | | | | |
| 17-10 | E2202-FIA0-0000 | RUBBER SLEEVE | 1 | 後叉軸套 | | | | | | |
| 17-11 | E2201-FIA0-0000 | BOLT,SWING RAM SET CHECK(M14×265) | 1 | 後叉裝置螺栓 | | | | | | |
| 17-12 | I5611-14200 | NUT ,FLANGE CHECK(M14) | 1 | 凸緣防鬆螺帽 | | | | | | |
| 17-13 | I0149-10080 | FLANGE(M10×80) | 4 | 凸緣螺栓(10×80) | | | | | | |
| 17-14 | I5611-10200 | NUT,FLANGE CHECK(M10) | 4 | 凸緣防鬆螺帽 | | | | | | |
| 17-15 | I6600-06000 | GREASE VALVE | 5 | 黃油嘴(1/4") | | | | | | |
| 17-16 | E0209-5EA0-0000 | CAP,GREASE VALVE | 5 | 黃油嘴蓋 | | | | | | |
| 17-17 | G7112-BCA0-0000 | BRACKET,BRAKE HOSE | 2 | 煞車油管固定夾 | | | | | | |
| 17-18 | I8556-06016 | BOLT,FLANGE(M6x16) | 2 | 凸緣螺絲 | | | | | | |

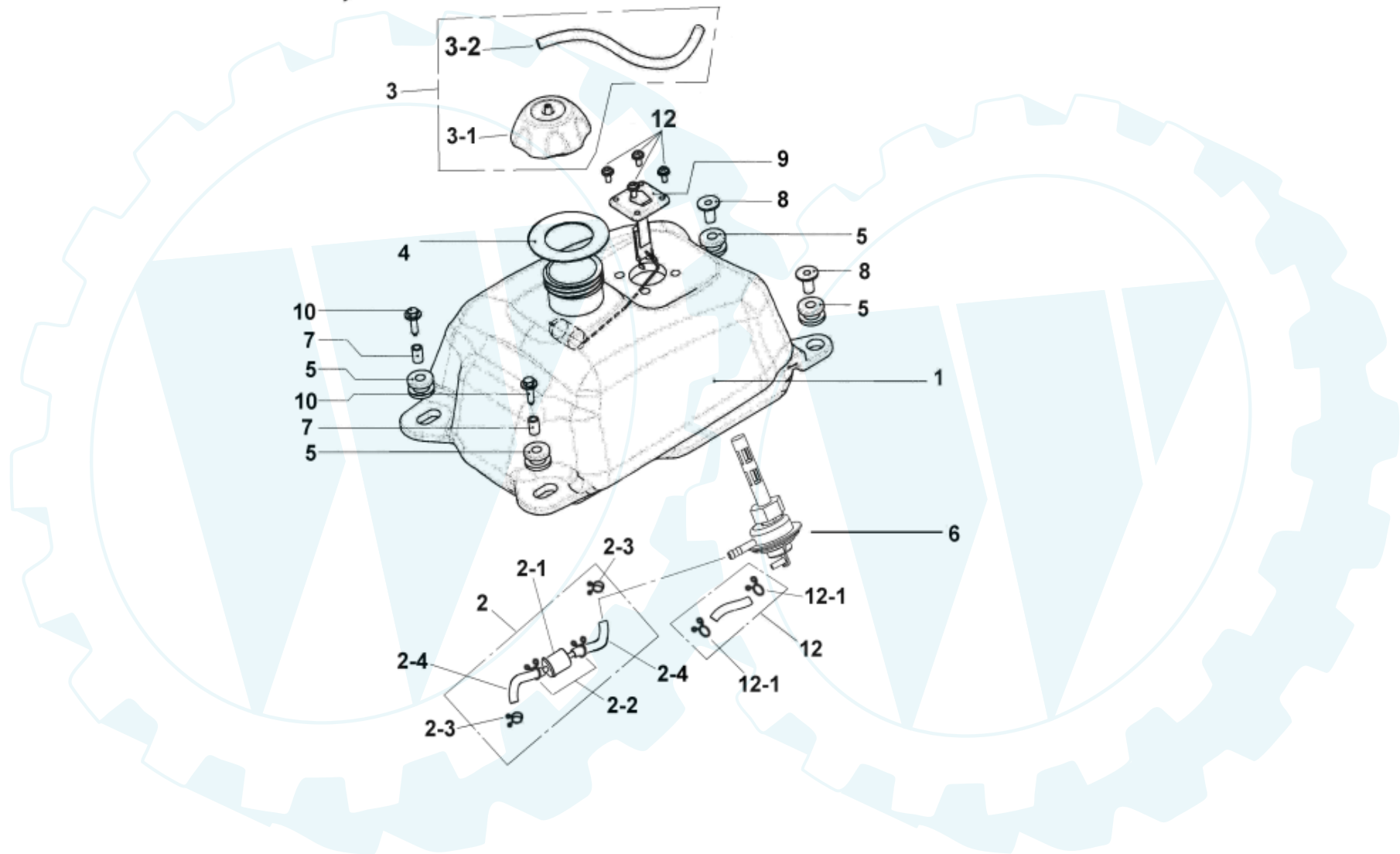
18. SEAT



| ITEM | PART NO. | NAME | Q'TY | 品名 | VIN NO | U.S | E.U | A.T | TW | A.S |
|------|-----------------|--------------------|------|------|--------|-----|-----|-----|----|-----|
| 18 | | SEAT | | | | | | | | |
| 18-1 | G7200-FIC0-9000 | SEAT ASSY. | 1 | 座墊總成 | | | | | | |
| 18-2 | G7201-FIA0-0000 | SEAT LOCK | 1 | 座墊扣 | | | | | | |
| 18-3 | I0149-06012 | FLANGE BOLT(M6×12) | 2 | 凸緣螺栓 | | | | | | |

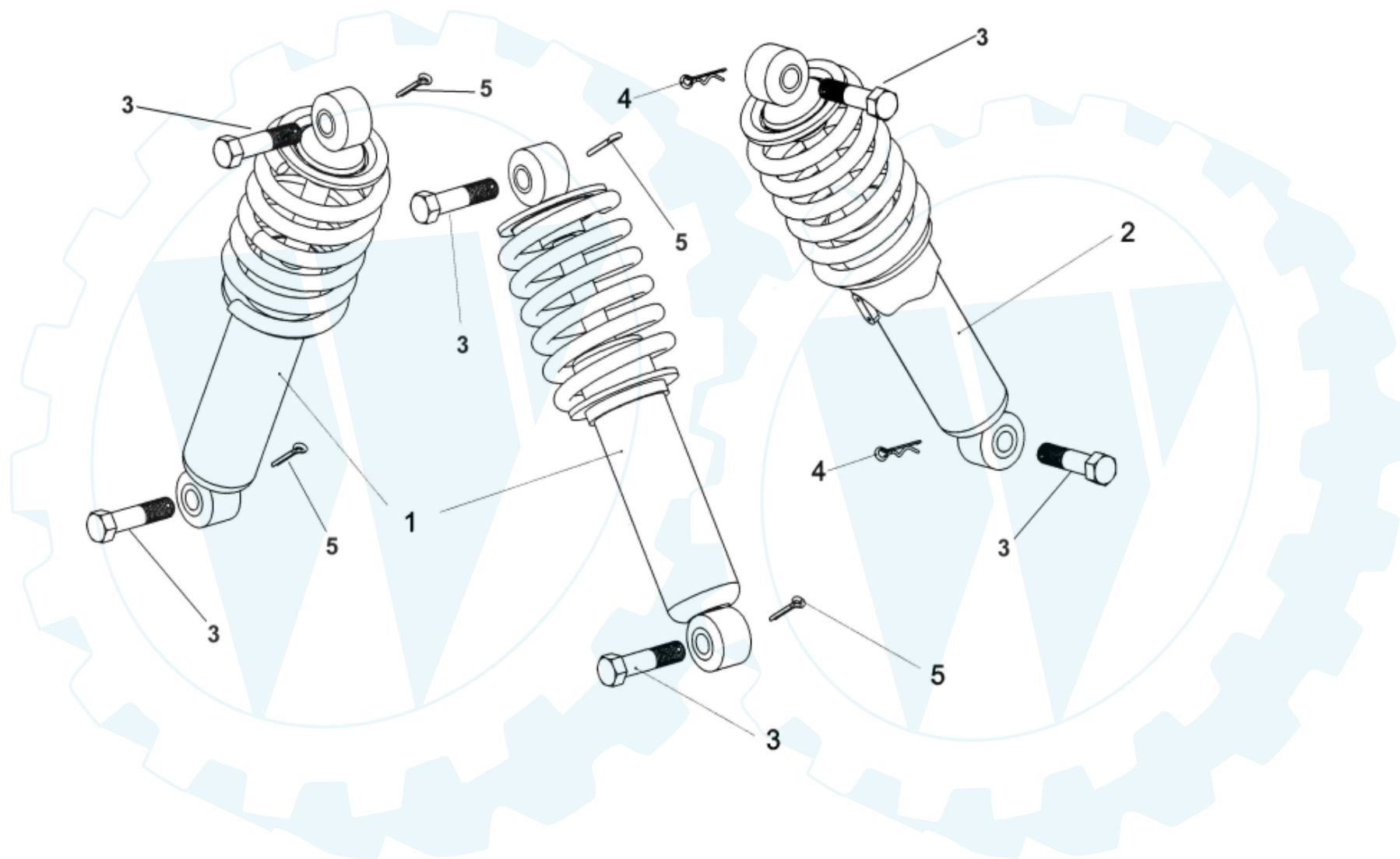


19. FUEL TANK, OIL TANK



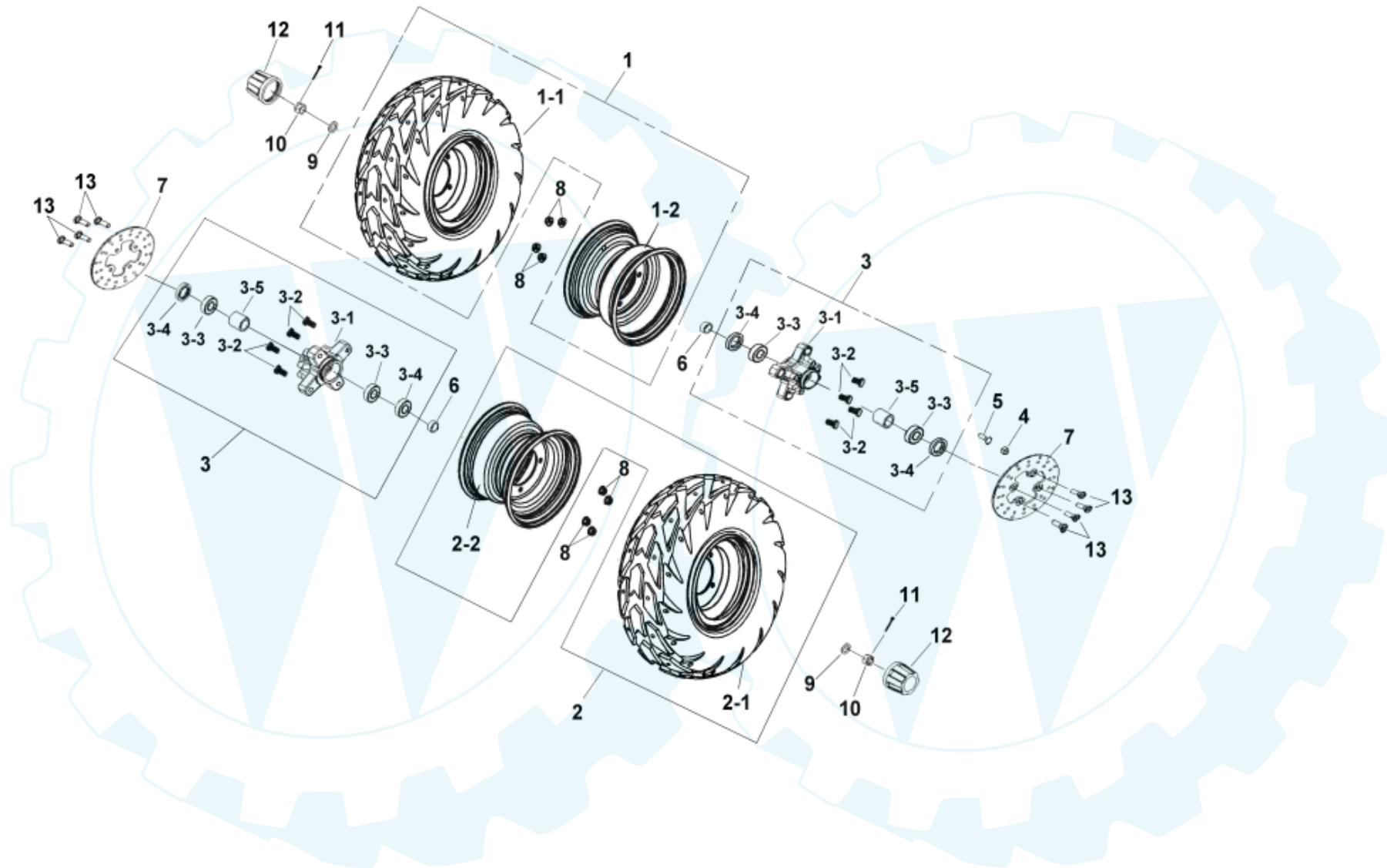
| ITEM | PART NO. | NAME | Q'TY | 品名 | VIN NO | U.S | E.U | A.T | TW | A.S |
|---------|-----------------|---------------------------|------|------------|--------|-----|-----|-----|----|-----|
| 19 | | FUEL TANK , OIL TANK ASSY | | | | | | | | |
| 19-1 | A7500-FIC0-0000 | FUEL TANK COMP | 1 | 汽油箱 | | | | | | |
| 19-2 | A751A-FIA0-1000 | FUEL FILTER ASSY. | 1 | 汽油濾清器總成 | | | | | | |
| 19-2-1 | A7519-FIA0-1000 | FILTER COMP FUEL | 1 | 汽油濾清器 | | | | | | |
| 19-2-2 | A7516-5EA0-0000 | CLIP(A) | 2 | 汽油管止夾(A) | | | | | | |
| 19-2-3 | A7517-FIA0-0000 | CLIP | 2 | 汽油管止夾 | | | | | | |
| 19-2-4 | A7514-FIA0-0000 | FUEL TUBE(A) | 2 | 汽油濾清器油管(A) | | | | | | |
| 19-3 | A762A-9FA0-0000 | FUEL TANK CAP ASSY. | 1 | 汽油箱蓋總成 | | | | | | |
| 19-3-1 | A7620-9FA0-0000 | FUEL TANK CAP | 1 | 汽油箱蓋 | | | | | | |
| 19-3-2 | A7621-9FA0-0000 | BREATHE TUBE | 1 | 油箱呼吸管 | | | | | | |
| 19-4 | A7622-9FA0-0000 | RUBBER PAD, FUEL TANK CAP | 1 | 汽油箱蓋橡膠墊 | | | | | | |
| 19-5 | A7510-FIA0-0000 | FUEL TANK RUBBER PAD | 4 | 汽油箱橡膠墊 | | | | | | |
| 19-6 | A6701-FIA0-0000 | FUEL COCK ASSY. | 1 | 旋油塞總成 | | | | | | |
| 19-7 | A7511-FIA0-0000 | RUBBER INSULATOR | 2 | 汽油箱橡膠隔筒 | | | | | | |
| 19-8 | A7512-FIA0-0000 | FUEL TANK GASKET SPACER | 2 | 汽油箱墊片隔筒 | | | | | | |
| 19-9 | C780A-FIA0-0000 | METER FUEL LEVER | 1 | 汽油量表 | | | | | | |
| 19-10 | I7507-06225 | BOLT ,HEXAGON HEAD | 2 | 六角套頭螺栓 | | | | | | |
| 19-11 | I0200-50160 | BOLT,WITH WASHER(M5×16) | 4 | 帶墊圈螺栓 | | | | | | |
| 19-12 | A751B-FIA0-0000 | VACUUM TUBE COMP | 1 | 負壓管 | | | | | | |
| 19-12-1 | A7518-FIA0-0000 | CLIP | 2 | 負壓管線夾 | | | | | | |

20. SUSPENSION



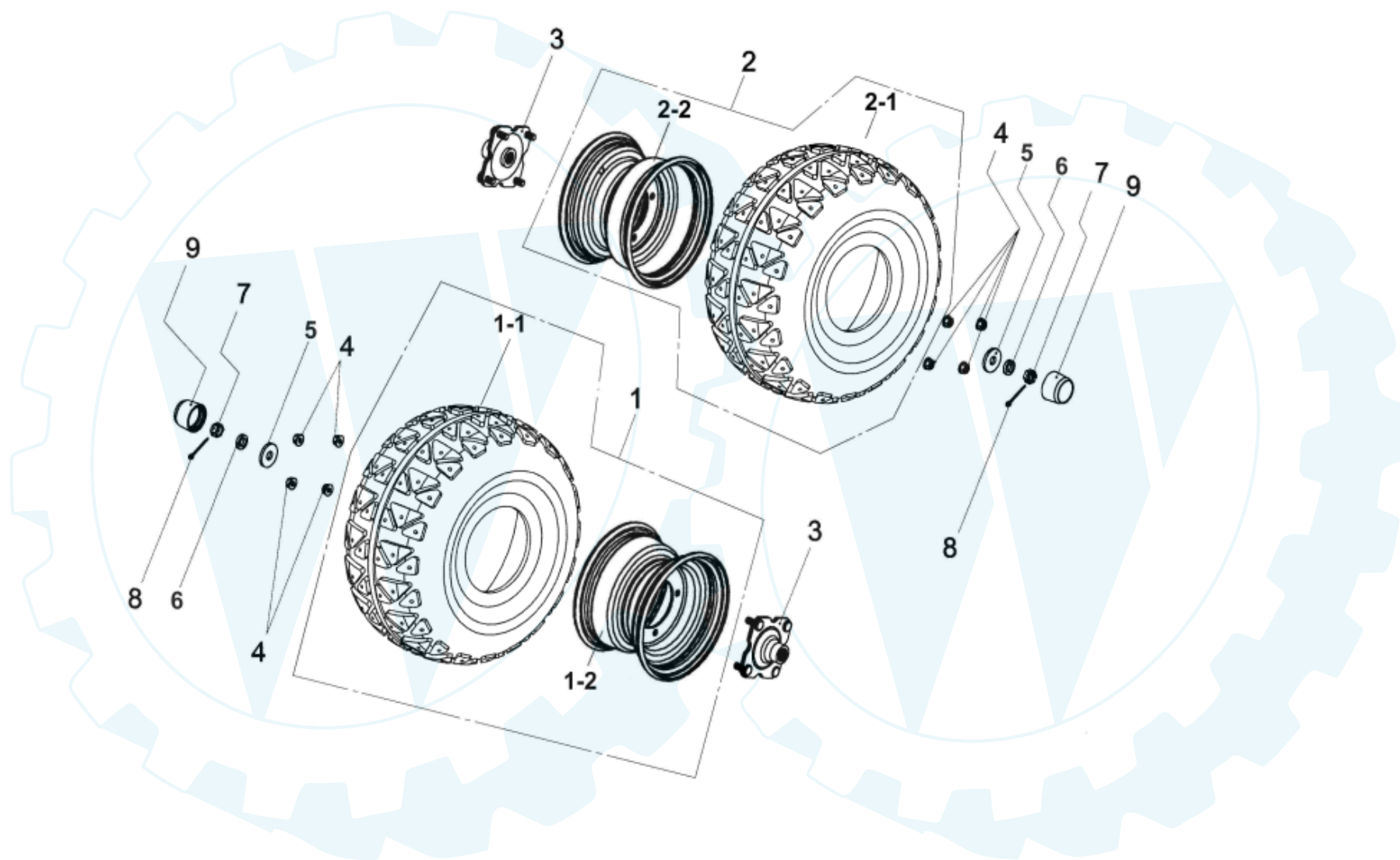
| ITEM | PART NO. | NAME | Q'TY | 品名 | VIN NO | U.S | E.U | A.T | TW | A.S |
|------|-----------------|------------------------|------|------|--------|-----|-----|-----|----|-----|
| 20 | | SUSPENSION | | | | | | | | |
| 20-1 | E1105-FIA0-9000 | SUSPENSION, FRONT | 2 | 前避震器 | | | | | | |
| 20-2 | E2400-FIC0-9000 | SUSPENSION, REAR | 1 | 後避震器 | | | | | | |
| 20-3 | I0102-10040B | PIN HOLE BOLT(M10×40) | 6 | 銷孔螺栓 | | | | | | |
| 20-4 | I0469-12006 | COTTER PIN | 2 | B型銷 | | | | | | |
| 20-5 | I9900-25019 | COTTER PIN (3/32×3/4") | 4 | 開口銷 | | | | | | |

21. FRONT WHEEL



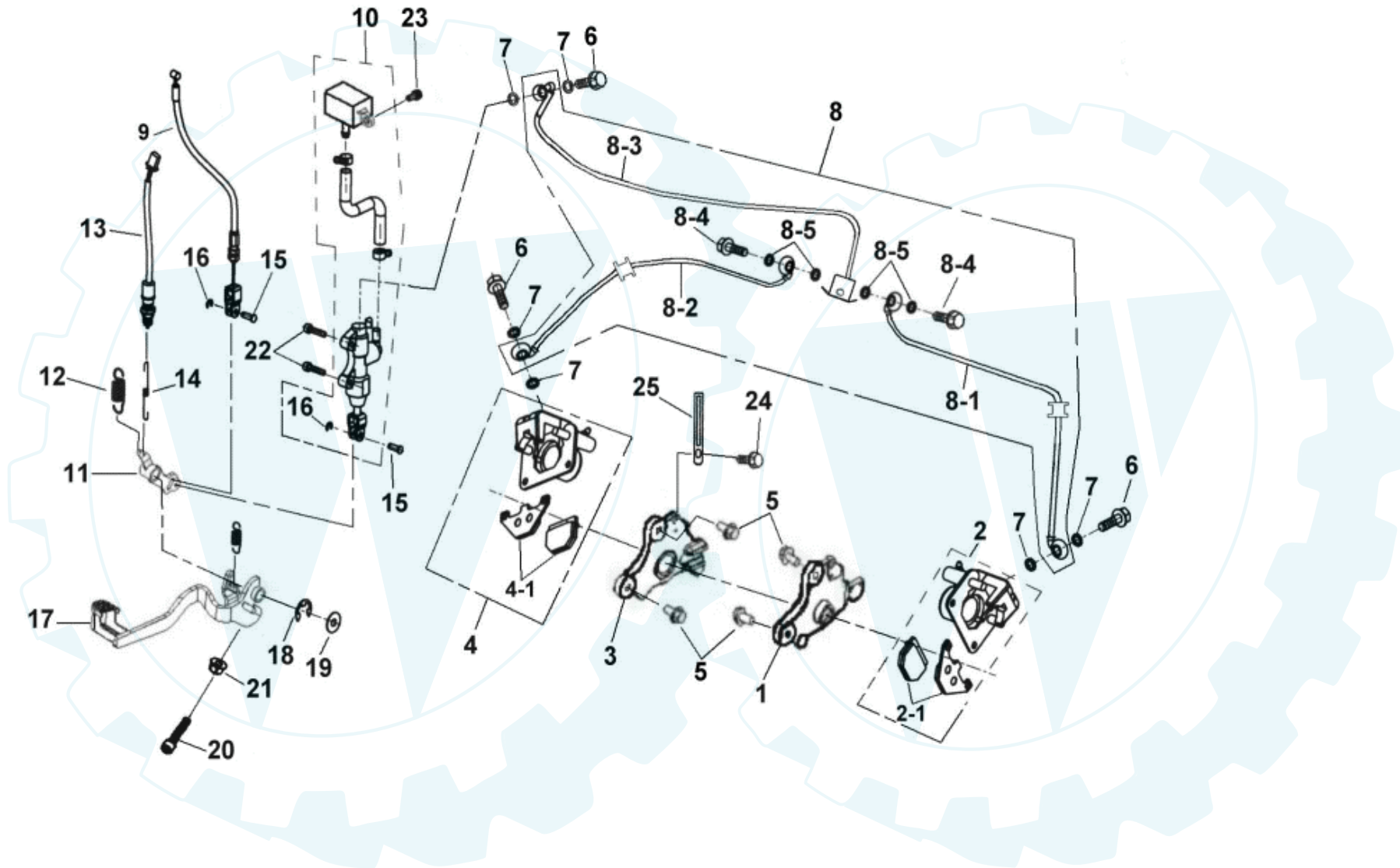
| ITEM | PART NO. | NAME | Q'TY | 品名 | VIN NO | U.S | E.U | A.T | TW | A.S |
|--------|-----------------|----------------------------------|------|-----------|--------|-----|-----|-----|-----|-----|
| 21 | | FRONT WHEEL | | | | | | | | |
| 21-1 | D471A-FIC0-9000 | FRONT WHEEL ASSY.,LEFT(21×7-10) | 1 | 左前輪總成 | | | N/A | | | |
| | D471A-FIC0-8500 | FRONT WHEEL ASSY.,LEFT(21×7-10) | 1 | 左前輪總成 | | N/A | | N/A | N/A | N/A |
| 21-1-1 | D4710-FIC0-0000 | WHEEL TIRE (21×7-10) | 1 | 輪胎 | | | | | | |
| 21-1-2 | D4601-FIC0-0000 | WHEEL RIM (10"×5.5) | 1 | 輪圈 | | | N/A | | | |
| | D4601-FIC0-0500 | WHEEL RIM (10"×5.5) | 1 | 輪圈(綠色) | | N/A | | N/A | N/A | N/A |
| 21-2 | D471B-FIC0-9000 | FRONT WHEEL ASSY.,RIGHT(21×7-10) | 1 | 右前輪總成 | | | N/A | | | |
| | D471B-FIC0-8500 | FRONT WHEEL ASSY.,RIGHT(21×7-10) | 1 | 右前輪總成 | | N/A | | N/A | N/A | N/A |
| 21-2-1 | D4710-FIC0-0000 | WHEEL TIRE (21×7-10) | 1 | 輪胎 | | | | | | |
| 21-2-2 | D4601-FIC0-0000 | WHEEL RIM (10"×5.5) | 1 | 輪圈 | | | N/A | | | |
| | D4601-FIC0-0500 | WHEEL RIM (10"×5.5) | 1 | 輪圈(綠色) | | N/A | | N/A | N/A | N/A |
| 21-3 | D461A-FIC0-0000 | WHEEL HUB ASSY | 2 | 前輪轂總成 | | | | | | |
| 21-3-1 | D4610-FIC0-0000 | WHEEL HUB | 2 | 前輪轂 | | | | | | |
| 21-3-2 | D4612-9FA0-0000 | BOLT,STUD | 8 | 緊配螺栓 | | | | | | |
| 21-3-3 | I6100-6003LLU | BEARING(6003-LLU) | 4 | 軸承 | | | | | | |
| 21-3-4 | I1307-24035-10 | OUTER OIL SEAL(φ24×35×7) | 4 | 外油封 | | | | | | |
| 21-3-5 | D4620-FIA0-0000 | INNER SPACER | 2 | 內定距套 | | | | | | |
| 21-4 | C7205-5PA0-0000 | MAGNET | 1 | 磁石 | | | | | | |
| 21-5 | D4613-5PA0-0000 | SCREW | 1 | 轉接螺絲 | | | | | | |
| 21-6 | D4621-FIA0-0000 | OUTER SPACER | 2 | 外定距套 | | | | | | |
| 21-7 | D5351-FIC0-0000 | BRAKE DISC | 2 | 前碟式煞車盤 | | | | | | |
| 21-8 | D4611-FIC0-0000 | NUT(M10) | 8 | 螺帽(M10) | | | | | | |
| 21-9 | I9905-14200 | WASHER(φ15×24×2.3) | 2 | 墊圈 | | | | | | |
| 21-10 | I5500-14100 | CASTLE NUT(M14) | 2 | 城堡螺帽(M14) | | | | | | |
| 21-11 | I9900-30032 | COTTER PIN(1/8"×1 1/4") | 2 | 開口銷 | | | | | | |
| 21-12 | D4609-9FA0-0000 | RUBBER CAP | 2 | 橡膠套 | | | | | | |
| 21-13 | D5350-FIC0-0000 | BOLT,ROUND HEAD | 8 | 煞車盤圓頭螺栓 | | | | | | |

22. REAR WHEEL



| ITEM | PART NO. | NAME | Q'TY | 品名 | VIN NO | U.S | E.U | A.T | TW | A.S |
|--------|-----------------|-------------------------------------|------|-------------|--------|-----|-----|-----|-----|-----|
| 22 | | REAR WHEEL | | | | | | | | |
| 22-1 | D471C-FIC0-9000 | REAR WHELL ASSY.,LEFT(22×10-10) | 1 | 左後輪總成 | | | N/A | | | |
| | D471C-FIC0-8500 | REAR WHELL ASSY.,LEFT(22×10-10) | 1 | 左後輪總成 | | N/A | | N/A | N/A | N/A |
| 22-1-1 | D4720-FIC0-0000 | WHEEL TIRE (22×10-10) | 1 | 輪胎 | | | | | | |
| 22-1-2 | D4602-FIC0-8000 | WHEEL RIM (10"×8) | 1 | 輪圈(10"×8) | | | N/A | | | |
| | D4602-FIC0-8500 | WHEEL RIM (10"×8) | 1 | 輪圈(綠色) | | N/A | | N/A | N/A | N/A |
| 22-2 | D471D-FIC0-9000 | REAR WHELL ASSY.,RIGHT(22×10-10) | 1 | 右後輪總成 | | | N/A | | | |
| | D471D-FIC0-8500 | REAR WHELL ASSY.,RIGHT(22×10-10) | 1 | 右後輪總成 | | N/A | | N/A | N/A | N/A |
| 22-2-1 | D4720-FIC0-0000 | WHEEL TIRE (22×10-10) | 1 | 輪胎(22×10-8) | | | | | | |
| 22-2-2 | D4602-FIC0-8000 | WHEEL RIM (10"×8) | 1 | 輪圈(10"×8) | | | N/A | | | |
| | D4602-FIC0-8500 | WHEEL RIM (10"×8) | 1 | 輪圈(綠色) | | N/A | | N/A | N/A | N/A |
| 22-3 | D2705-FIC0-0000 | SHAFT CONNECTER WITH BOLTS | 2 | 後軸聯結器總成 | | | | | | |
| 22-4 | D4611-FIC0-0000 | NUT,FLANGE CHECK(M10) | 8 | 凸緣防鬆螺帽(M10) | | | | | | |
| 22-5 | D2309-5EA0-0000 | WHEEL AXLE WASHER, REAR(ψ14×40×4.5) | 2 | 後輪軸墊片 | | | | | | |
| 22-6 | I9905-14200 | WASHER(ψ15×24×2.3) | 2 | 墊圈 | | | | | | |
| 22-7 | I5500-14100 | CASTLE NUT(M14) | 2 | 城堡螺帽(M14) | | | | | | |
| 22-8 | I9900-30032 | COTTER PIN(1/8"×1/4") | 2 | 開口銷 | | | | | | |
| 22-9 | D4609-5EA0-0000 | RUBBER COVER | 2 | 橡膠套 | | | | | | |

23.FRONT BRAKE

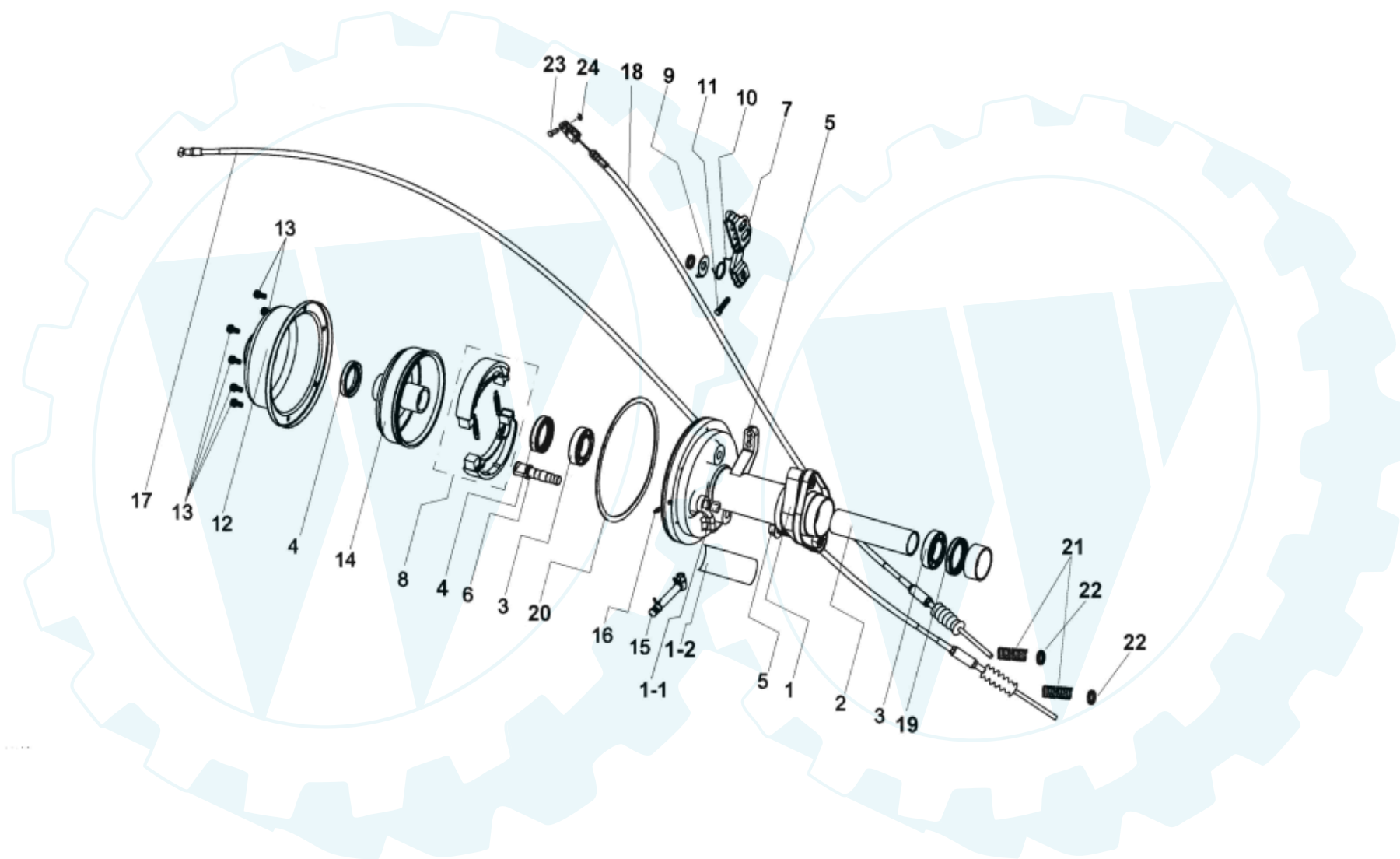


| ITEM | PART NO. | NAME | Q'TY | 品名 | VIN NO | U.S | E.U | A.T | TW | A.S |
|----------|-----------------|-------------------------------------|------|----------------------------|--------|-----|-----|-----|----|-----|
| 23 | | FRONT BRAKE | | | | | | | | |
| 23-1 | G7160-FIC0-0000 | BRAKE DISC MOUNTING SEAT LEFT | 1 | 卡鉗固定座(左) | | | | | | |
| 23-2 | G7120-FIC0-0000 | BRAKE CALL IPER LEFT | 1 | 前煞車卡鉗(左) | | | | | | |
| 23-2-1 | G7131-5EE0-0000 | PAD ASSY BRAKE | 1 | 煞車蹄片 | | | | | | |
| 23-3 | G7170-FIC0-0000 | BRAKE DISC MOUNTING SEAT RIGH | 1 | 卡鉗固定座(右) | | | | | | |
| 23-4 | G7140-FIC0-0000 | BRAKE CALL IPER RIGH | 1 | 前煞車卡鉗(右) | | | | | | |
| 23-4-1 | G7131-5EE0-0000 | PAD ASSY BRAKE | 1 | 煞車蹄片 | | | | | | |
| 23-5 | I7507-FIA0-0000 | BOLT,FLANGE | 4 | 六角凸緣螺栓 | | | | | | |
| 23-6 | I0401-10034 | UNION BOLT,BRAKE HOSE | 3 | 煞車油管通油螺栓 | | | | | | |
| 23-7 | I0201-10118 | WASHER,PLATE | 6 | 銅墊圈 | | | | | | |
| 23-8 | G7110-FIC0-0000 | FRONT BRAKE OIL TUBE ASSY | 1 | 前煞車油管總成 | | | | | | |
| 23-8-1 | G7111-FIC0-0000 | FRONT BRAKE OIL TUBE LEFT | 1 | 前煞車油管(左) | | | | | | |
| 23-8-2 | G7112-FIC0-0000 | FRONT BRAKE OIL TUBE RIGHT | 1 | 前煞車油管(右) | | | | | | |
| 23-8-3 | G7113-FIC0-0000 | FRONT BRAKE OIL TUBE END | 1 | 前煞車油管(後) | | | | | | |
| 23-8-4 | I0401-10034 | UNION BOLT,BRAKE HOSE | 2 | 煞車油管通油螺栓 | | | | | | |
| 23-8-5 | I0201-10118 | WASHER,PLATE | 4 | 銅墊圈 | | | | | | |
| 23-9 | E5451-FIC0-9000 | CABLE, FRONT BRAKE ASSY | 1 | 前煞車線總成 | | | | | | |
| 23-10 | G7100-FIC0-0000 | BRAKE MASTER CYLINDER | 1 | 前煞車主缸 | | | | | | |
| 23-11 | D3410-FIC0-9000 | BRAKE MASTER CYLINDER ARM | 1 | 煞車主缸搖臂 | | | | | | |
| 23-12 | D3419-FIC0-0000 | RETURN SPRING | 1 | 搖臂復歸彈簧 | | | | | | |
| 23-13 | G7202-9PA0-0000 | SWITCH (FLOOR) | 1 | 腳煞車開關 | | | | | | |
| 23-14 | E0711-FIC0-9000 | SPG,BRAKE LAMP SWITCH | 1 | 煞車燈開關彈簧 | | | | | | |
| 23-15 | I7510-06016-1B | PIN | 2 | 帶頭銷 | | | | | | |
| 23-16 | I5300-00500-N | CLIP,E TYPE(ψ 5) | 2 | E型扣環(ϕ 5) | | | | | | |
| 23-17 | E0708-FIC0-9000 | PEDAL COMP BRAKE | 1 | 腳踏車踏桿 | | | | | | |
| 23-18 | I5300-01500-K | CLIP,E TYPE(ψ 15) | 1 | E型扣環(ϕ 15) | | | | | | |
| 23-19 | I3010-19025-1K | PLAIN WASHER(ψ 19x ψ 25) | 1 | 平墊圈(ϕ 19x ψ 25) | | | | | | |
| 23-20 | I5827-08030 | BOLT,FLANGE(M8x30) | 1 | 六角螺絲 | | | | | | |
| 23-21 | I5800-08300 | NUT,FLANGE CHECK(M8) | 1 | 螺帽 | | | | | | |
| 23-22 | I0050-06025 | BOLT,SOCKET(M6x25) | 2 | 內六角螺絲 | | | | | | |
| 23-23 | I0149-06016 | SCREW,PAD NEAD(M6x16) | 1 | 圓頭螺絲附墊圈 | | | | | | |
| 23-24 | I8557-06012 | SCREW,PAD NEAD(M6x12) | 1 | 盤頭螺絲附墊圈 | | | | | | |
| 52 23-25 | C2962-UE1-0000 | CLAMPER | 1 | 線夾 | | | | | | |

YUKON ST. EXL-150 (ATV3E-SEAT)

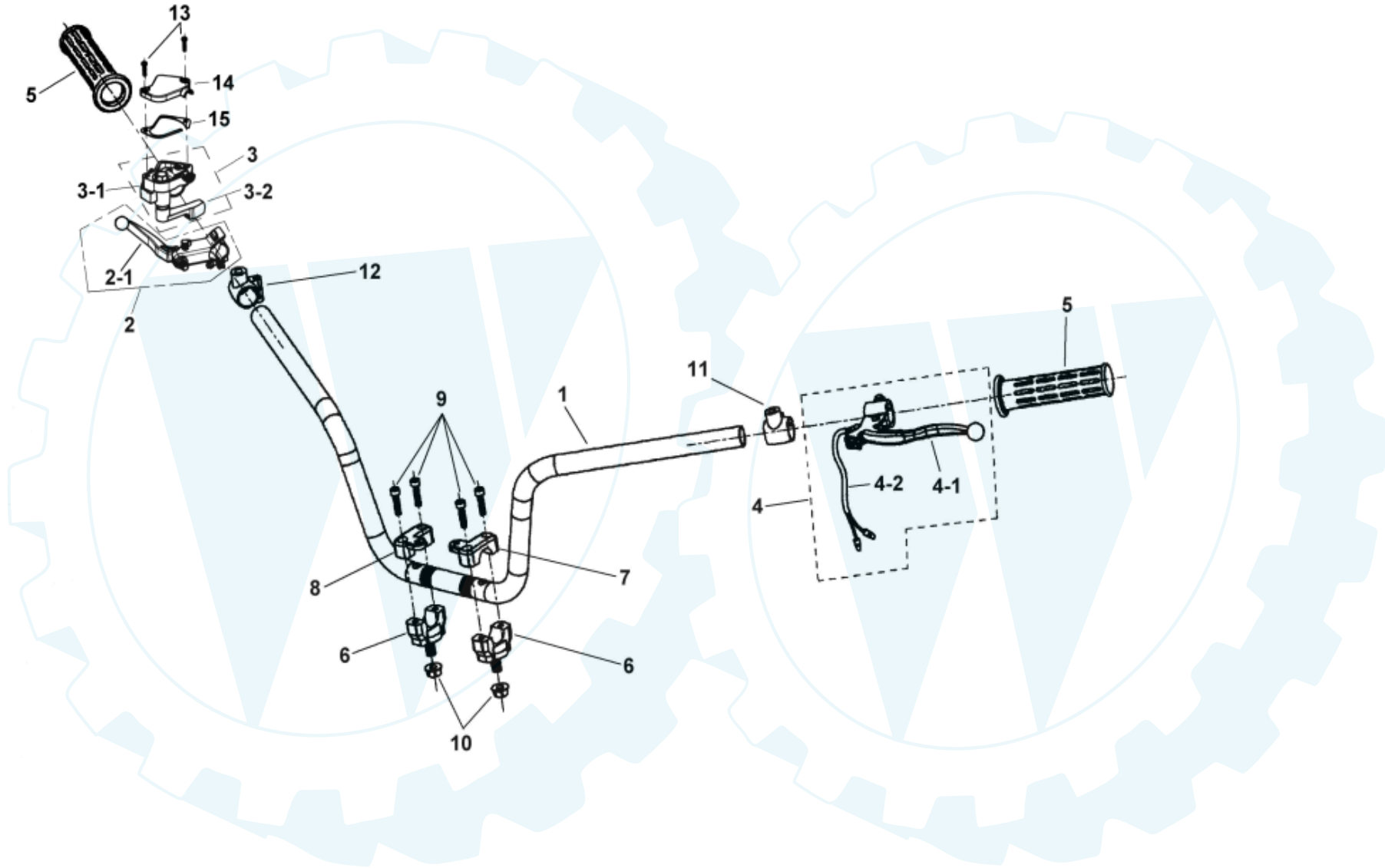
Date 2004.02.17

24. REAR BRAKE



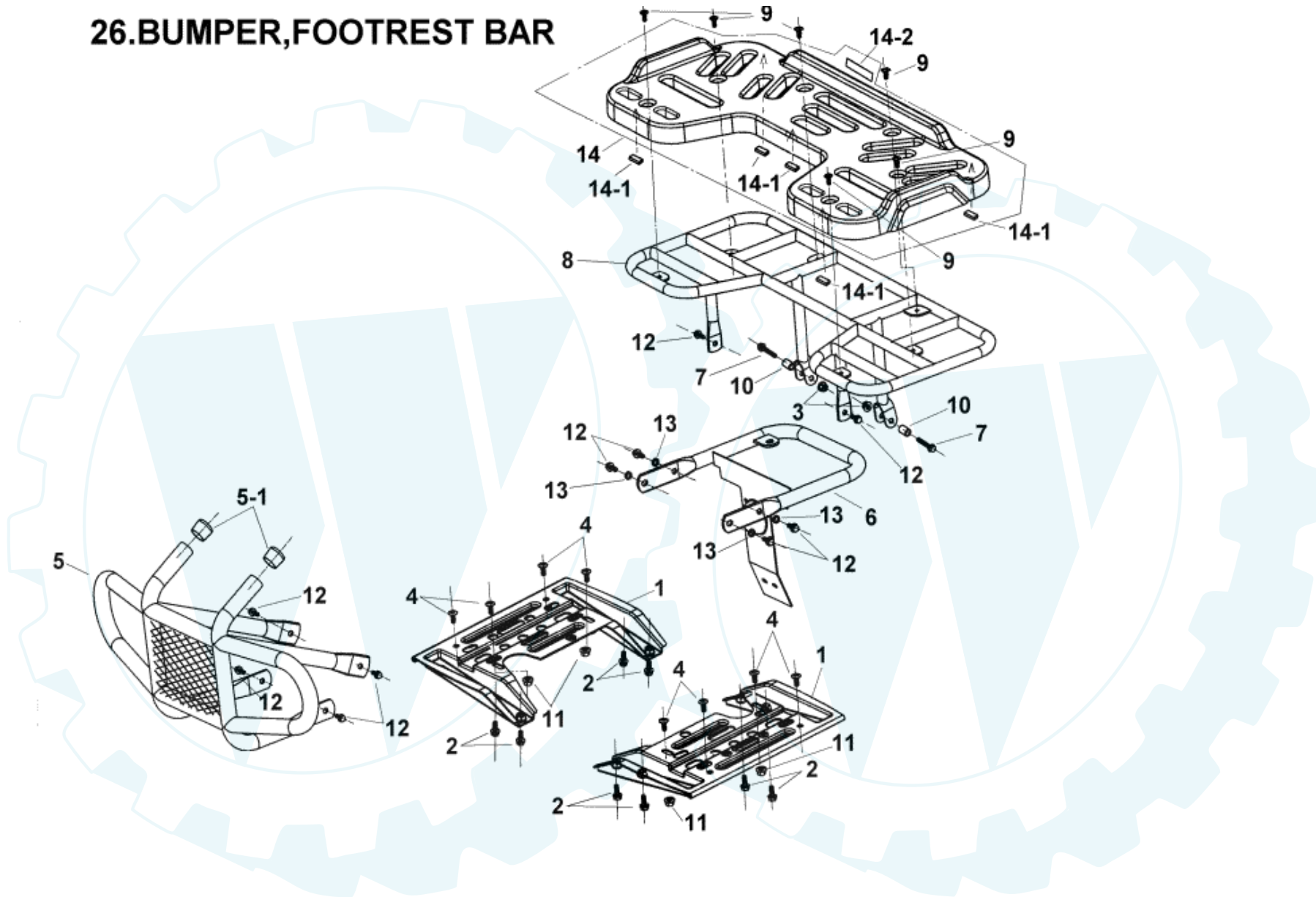
| ITEM | PART NO. | NAME | Q'TY | 品名 | VIN NO | U.S | E.U | A.T | TW | A.S |
|--------|-----------------|-------------------------------------|------|--------------|--------|-----|-----|-----|----|-----|
| 24 | | REAR BRAKE | | | | | | | | |
| 24-1 | D231A-FIA0-0000 | BEARING SEAT ASSY., REAR WHEEL AXLE | 1 | 後輪軸承座總成 | | | | | | |
| 24-1-1 | D3142-FIA0-0000 | ANCHOR PIN | 1 | 後煞車固定銷 | | | | | | |
| 24-1-2 | H7106-FIA0-0000 | WARNING STICKER , CHAIN | 1 | 鏈條警告貼紙 | | | | | | |
| 24-2 | D2311-FIA0-0000 | SPACER | 1 | 軸承座隔筒 | | | | | | |
| 24-3 | I6100-6007LLU | BEARING(6007LLU) | 2 | 軸承(6007LLU) | | | | | | |
| 24-4 | D2315-FIA0-0000 | OIL SEAL(ψ43×62×12) | 1 | 油封 | | | | | | |
| 24-5 | I0141-12036-01 | BOLT,FLANGE (M12×36) | 4 | 凸緣螺栓(M12×36) | | | | | | |
| 24-6 | D3141-FIA0-0010 | BRAKE ARM CAM,REAR | 1 | 後搖臂凸輪 | | | | | | |
| 24-7 | D3410-FIA0-0000 | BRAKE ARM ,REAR | 1 | 後煞車搖臂 | | | | | | |
| 24-8 | D3120-FIA0-0000 | REAR BRAKE SHOE COMP | 1 | 後煞車蹄片組 | | | | | | |
| 24-9 | D3145-FIA0-0000 | REAR BRAKE INDICATOR | 1 | 後煞車指示器 | | | | | | |
| 24-10 | D3419-FIA0-0000 | REAR RETURN SPRING | 1 | 後復歸彈簧 | | | | | | |
| 24-11 | I0020-06030 | BOLT(M6×30) | 1 | 螺栓 | | | | | | |
| 24-12 | D3615-FIA0-0000 | DRUM COVER,REAR | 1 | 後煞車鼓蓋 | | | | | | |
| 24-13 | I8557-06012 | SCREW WITH WASHER(M6x12) | 6 | 盤頭螺絲附墊圈 | | | | | | |
| 24-14 | D3610-FIA0-1000 | REAR BRAKE DRUM | 1 | 後煞車鼓 | | | | | | |
| 24-15 | D2316-5EA0-0000 | DRAIN PIPE ASSY | 1 | 排水管總成 | | | | | | |
| 24-16 | D2319-FIA0-0000 | PLUG PURGE HOLE | 1 | 吹氣孔塞 | | | | | | |
| 24-17 | E3450-FIC0-9000 | CABLE,REAR BRAKE | 1 | 後煞車線總成 | | | | | | |
| 24-18 | E0710-FIC0-0000 | BRAKE PEDAL CABLE | 1 | 腳煞車線總成 | | | | | | |
| 24-19 | D2313-FIA0-0000 | OIL SEAL(ψ48×62×7) | 1 | 油封 | | | | | | |
| 24-20 | D3611-FIA0-0000 | O-RING | 1 | O型環 | | | | | | |
| 24-21 | D3416-FIA0-0000 | SPG BRAKE CABEL | 2 | 後煞車線彈簧 | | | | | | |
| 24-22 | I2140-60001 | WASHER | 2 | 墊片 | | | | | | |
| 24-23 | I7510-06016-1B | PIN | 1 | 帶頭銷 | | | | | | |
| 24-24 | I5300-00500-N | CLIP,E TYPE(ψ5) | 1 | E型扣環(φ5) | | | | | | |

25.HANDLE BAR



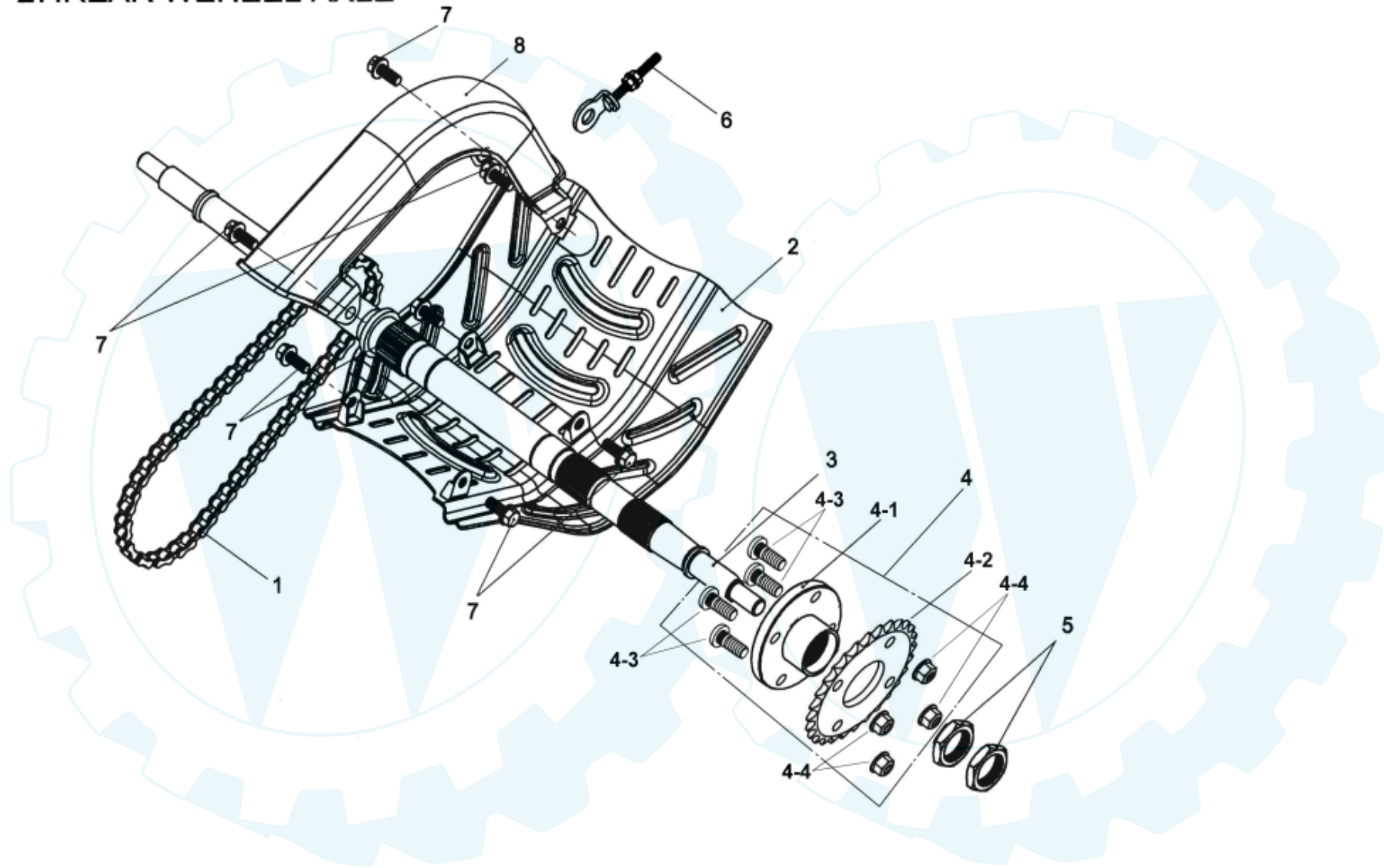
| ITEM | PART NO. | NAME | Q'TY | 品名 | VIN NO | U.S | E.U | A.T | TW | A.S |
|--------|-----------------|------------------------------|------|--------------|--------|-----|-----|-----|----|-----|
| 25 | | HANDLE BAR | | | | | | | | |
| 25-1 | E3100-FIA0-0000 | HANDLE BAR ASSY. | 1 | 手把總成 | | | | | | |
| 25-2 | E3180-FIC0-0000 | LEVER ASSY. RIGHT | 1 | 右拉桿總成 | | | | | | |
| 25-2-1 | E3181-FIC0-0000 | LEVER,RIGHT | 1 | 右拉桿 | | | | | | |
| 25-3 | E3180-4HA0-0000 | LEVER ASSY,RIGHT | 1 | 加油座總成 | | | | | | |
| 25-3-1 | E3191-4HA0-0000 | ACCELERATOR BODY | 1 | 加油座本體 | | | | | | |
| 25-3-2 | E319A-4HA0-0000 | LEVER | 1 | 加油座拉桿 | | | | | | |
| 25-3-3 | E3189-5EA0-0000 | THROTTLE CABLE ARM | 1 | 加油推桿 | | | | | | |
| 25-3-4 | E3190-5EA0-0000 | SPRING | 1 | 彈簧 | | | | | | |
| 25-3-5 | I0010-06020 | SCREW (M6×20) | 1 | 螺絲 | | | | | | |
| 25-3-6 | I0149-08012H | BOLT,FLANGE(M8x12) | 1 | 帶頭螺絲 | | | | | | |
| 25-3-7 | E3192-5EA0-0000 | WASHER (ψ20×ψ14.2x1.5) | 1 | 墊圈 | | | | | | |
| 25-3-8 | I8506-05024 | BOLT(M5x24) | 1 | 螺絲 | | | | | | |
| 25-3-9 | I5800-05300 | NUT HEX | 1 | 螺帽 | | | | | | |
| 25-4 | E3170-FIA0-0000 | LEVER ASSY., LEFT | 1 | 左拉桿總成 | | | | | | |
| 25-4-1 | E3171-FIA0-0000 | LEVER,LEFT | 1 | 左拉桿 | | | | | | |
| 25-4-2 | E3174-5EA0-0000 | BRAKE SWITCH ASSY. | 1 | 煞車開關 | | | | | | |
| 25-5 | E3166-5EA0-0000 | GRIP HANDLE | 2 | 握把 | | | | | | |
| 25-6 | E3112-5EA0-0000 | HANDLE BAR CLAMP, BOTTOM | 2 | 手把固定座(底座) | | | | | | |
| 25-7 | E3110-5EA0-0000 | HANDLE BAR CLAMP, CAP, LEFT | 1 | 手把固定座(上蓋,L) | | | | | | |
| 25-8 | E3111-5EA0-0000 | HANDLE BAR CLAMP, CAP, RIGHT | 1 | 手把固定座(上蓋,R) | | | | | | |
| 25-9 | I0050-06025 | SCREW ,SOCKET (M6×25) | 4 | 內六角螺絲(M6*25) | | | | | | |
| 25-10 | I5611-10200 | NUT,FLANGE CHECK (M10) | 2 | 凸緣防鬆螺帽(M10) | | | | | | |
| 25-11 | E3113-5FA0-0000 | A MIRROR BRACKET(LEFT) | 1 | 鏡孔座(左) | | | | | | |
| 25-12 | E3114-5FA0-0000 | A MIRROR BRACKET(RIGHT) | 1 | 鏡孔座(右) | | | | | | |
| 25-13 | I8506-04016 | SCREW PAN HEAD(M4x16) | 2 | 盤頭螺絲 | | | | | | |
| 25-14 | E3183-4HA0-0000 | COVER,RIGHT LEVER | 1 | 上蓋 | | | | | | |
| 25-15 | E3188-5EA0-0000 | WASHER | 1 | 墊片 | | | | | | |

26.BUMPER,FOOTREST BAR



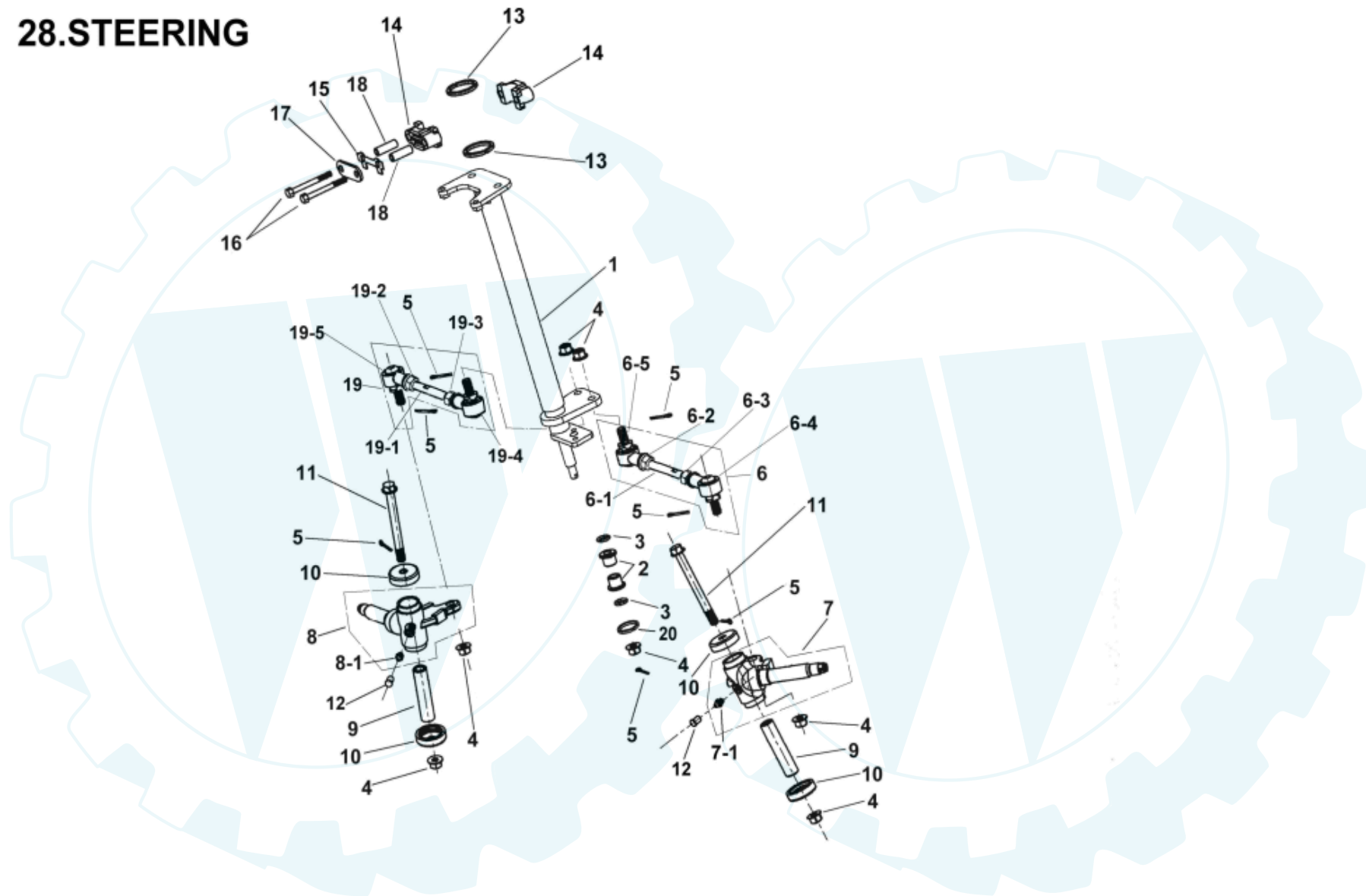
| ITEM | PART NO. | NAME | Q'TY | 品名 | VIN NO | U.S | E.U | A.T | TW | A.S |
|---------|-----------------|---------------------------------------|------|-------------|--------|-----|-----|-----|----|-----|
| 26 | | BUMPER, FOOTREST BAR | | | | | | | | |
| 26-1 | E0700-FIA0-0000 | FOOTREST BAR | 2 | 置腳踏板固定板 | | | | | | |
| 26-2 | I7507-FIA0-0000 | SCREW,HEXAGON HEAD WITH WASHER(M8×16) | 8 | 六角螺絲附墊圈 | | | | | | |
| 26-3 | I5616-08200 | NUT,FLANGE CHECK(M8) | 2 | 凸緣防鬆螺帽(M8) | | | | | | |
| 26-4 | I0149-06823 | SCREW,BUTTON HEAD | 8 | 扁圓頭螺絲 | | | | | | |
| 26-5 | E0400-FIC0-0000 | BUMPER ASSY. | 1 | 前防護桿總成 | | | | | | |
| 26-5-1 | E0401-FIC0-0000 | PLUG,BUMPER | 2 | 防護桿塞 | | | | | | |
| 26-6 | E0410-FIC0-0000 | REAR BAR ASSY. | 1 | 後防護桿總成 | | | | | | |
| 26-7 | I0105-08040 | BOLT ,FLANGE (M8×40) | 2 | 凸緣螺栓(M8×40) | | | | | | |
| 26-8 | E0411-FIC0-9000 | REAR PACK | 1 | 後置物架 | | | | | | |
| 26-9 | E0117-9EA0-0000 | SCREW,BUTTON HEAD (M6×18) | 6 | 扁圓頭螺絲 | | | | | | |
| 26-10 | E0402-9FA0-0000 | COLLAR, BUMPER | 2 | 防護桿套筒 | | | | | | |
| 26-11 | I5611-06200 | NUT,SPRING | 4 | 彈簧螺帽 | | | | | | |
| 26-12 | I0149-08016 | BOLT ,FLANGE (M8×16) | 10 | 凸緣螺栓(M8×16) | | | | | | |
| 26-13 | I9901-08100 | SPRING WASHER | 4 | 彈簧墊圈 | | | | | | |
| 26-14 | F4001-FIC0-0000 | CARRIER COVER REAR | 1 | 後置物架上承板 | | | | | | |
| 26-14-1 | C1501-FIB0-0000 | FOAM-RUBBER STICK | 5 | 橡膠海棉條 | | | | | | |
| 26-14-2 | H7113-9FB0-0000 | STICKER ,PACKAGE | 1 | 置物架貼紙 | | | | | | |

27. REAR WEHEEL AXLE



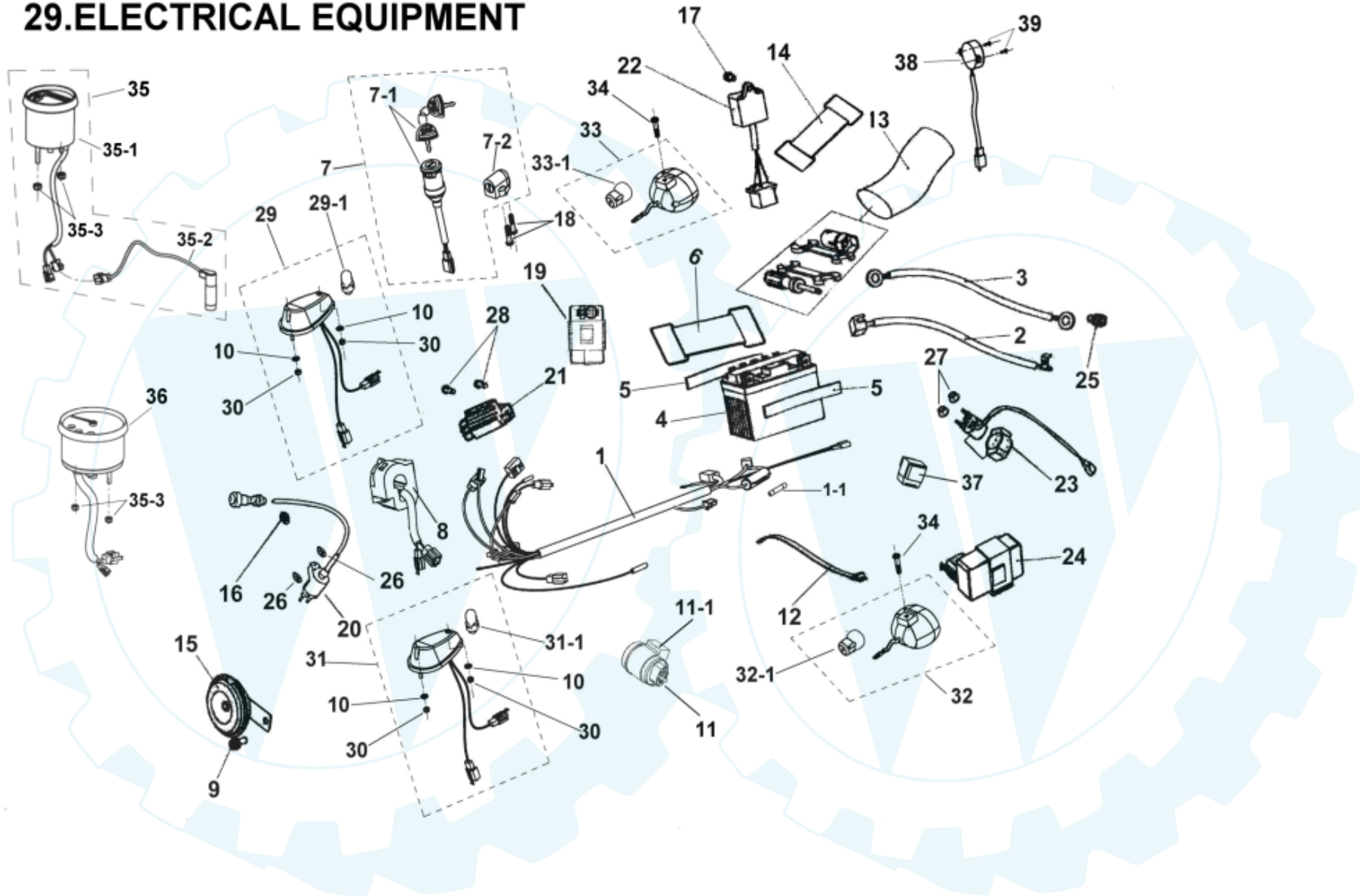
| ITEM | PART NO. | NAME | Q'TY | 品名 | VIN NO | U.S | E.U | A.T | TW | A.S |
|--------|-----------------|------------------------------|------|--------------|--------|-----|-----|-----|----|-----|
| 27 | | REAR WHEEL AXLE | | | | | | | | |
| 27-1 | D0100-FIC0-0000 | DRIVE CHAIN ASSY. | 1 | 鏈條(520H×80目) | | | | | | |
| 27-2 | D0101-FIA0-1000 | PROTECT COVER | 1 | 軸承座防護蓋 | | | | | | |
| 27-3 | D2301-FIA0-0000 | REAR AXLE | 1 | 後輪軸 | | | | | | |
| 27-4 | D0110-FIA0-0000 | SPROCKET HOLDER,REAR ASSY. | 1 | 後鏈齒輪固定座總成 | | | | | | |
| 27-4-1 | D0111-FIA0-0000 | SPROCKET HOLDER,REAR(34T) | 1 | 後鏈齒輪固定座 | | | | | | |
| 27-4-2 | D1111-FIA0-0000 | GEAR(520×34T) | 1 | 齒輪 | | | | | | |
| 27-4-3 | D2706-9EA0-0000 | STUD(M10) | 4 | 緊配螺栓 | | | | | | |
| 27-4-4 | I5611-10200 | NUT,HEXAGON CHECK(M10) | 4 | 六角防鬆螺帽 | | | | | | |
| 27-5 | D2302-FIA0-0000 | NUT REAR WHEEL AXLE(M28×1.5) | 2 | 後輪軸螺帽 | | | | | | |
| 27-6 | D0120-FIA0-0000 | ADJUSTER, CHAIN | 1 | 鏈條調整器 | | | | | | |
| 27-7 | I0149-08016 | FLANGE BOLT(M8×16) | 7 | 凸緣螺栓(M8×16) | | | | | | |
| 27-8 | D0102-FIA0-0000 | DRIVE CHAIN COVER | 1 | 鏈條防護蓋 | | | | | | |

28.STEERING



| ITEM | PART NO. | NAME | Q'TY | 品名 | VIN NO | U.S | E.U | A.T | TW | A.S |
|---------|-----------------|---------------------------------------|------|-----------------|--------|-----|-----|-----|----|-----|
| 28 | | STEERING | | | | | | | | |
| 28-1 | E3200-FIC0-0000 | SHAFT ASSY., STEERING | 1 | 轉向桿總成 | | | | | | |
| 28-2 | E3201-FIA0-0000 | OIL LINER | 2 | 轉向桿含油襯套 | | | | | | |
| 28-3 | E3204-FIA0-0000 | O-RING (W2.4×d14.8) | 2 | O型環(w2.4×d14.8) | | | | | | |
| 28-4 | I5611-10200 | NUT,FLANGE CHECK (M10) | 7 | 凸緣防鬆螺帽(M10) | | | | | | |
| 28-5 | I9900-25019 | COTTER PIN(3/32"×3/4") | 7 | 開口銷 | | | | | | |
| 28-6 | E0258-FIA0-1000 | STEERING TIE-ROD ASSY,LEFT | 1 | 轉向拉桿(左) | | | | | | |
| 28-6-1 | E0251-FIA0-1000 | BOLT,STUD | 1 | 雙頭牙螺栓 | | | | | | |
| 28-6-2 | E0252-5EA0-0000 | NUT(R) | 1 | 螺帽(右) | | | | | | |
| 28-6-3 | E0253-5EA0-0000 | NUT(L) | 1 | 螺帽(左) | | | | | | |
| 28-6-4 | E0255-FIA0-1000 | UNIVERSAL JOINT(L) | 1 | 萬向接頭(左) | | | | | | |
| 28-6-5 | E0256-FIA0-1000 | UNIVERSAL JOINT(R) | 1 | 萬向接頭(右) | | | | | | |
| 28-7 | E0205-FIA0-1000 | KNUCKLE, LEFT | 1 | 前輪轉向軸(左) | | | | | | |
| 28-7-1 | I6600-06000 | GREASE VALVE | 1 | 黃油嘴(1/4") | | | | | | |
| 28-8 | E0215-FIA0-1000 | KNUCKLE, RIGHT | 1 | 前輪轉向軸(右) | | | | | | |
| 28-8-1 | I6600-06000 | GREASE VALVE | 1 | 黃油嘴(1/4") | | | | | | |
| 28-9 | E0211-9FA0-0000 | SLEEVE | 2 | 含油套筒 | | | | | | |
| 28-10 | E0203-9FA0-0000 | CAP | 4 | 封蓋 | | | | | | |
| 28-11 | I0102-10105 | FLANGE PIN HOLE BOLT(M10×105) | 2 | 凸緣銷孔螺栓 | | | | | | |
| 28-12 | E0209-5EA0-0000 | CAP, GREASE VALVE | 2 | 黃油嘴蓋 | | | | | | |
| 28-13 | E3209-FIA0-0000 | OIL SEAL(φ31.8×37.8×4) | 2 | 油封 | | | | | | |
| 28-14 | E3202-FIA0-0000 | HOLDER, STEERING SHAFT | 2 | 轉向桿固定環 | | | | | | |
| 28-15 | E3203-FIA0-0000 | FIX PLATE, STEERING SHAFT | 1 | 轉向桿固定片 | | | | | | |
| 28-16 | I0020-08060 | BOLT,HEXAGON HEAD(M8×60) | 2 | 六角螺栓(M8×60) | | | | | | |
| 28-17 | E3210-FIA0-0000 | HOLDER, STEERING SHAFT PRESSED PLATED | 1 | 轉向桿固定環壓板 | | | | | | |
| 28-18 | E3208-FIA0-0000 | STEERING , COLLAR | 2 | 固定環隔筒 | | | | | | |
| 28-19 | E0259-FIA0-1000 | STEERING TIE-ROD ASSY,RIGHT | 1 | 轉向拉桿(右) | | | | | | |
| 28-19-1 | E0251-FIA0-1000 | BOLT,STUD | 1 | 雙頭牙螺栓 | | | | | | |
| 28-19-2 | E0252-5EA0-0000 | NUT(R) | 1 | 螺帽(右) | | | | | | |
| 28-19-3 | E0253-5EA0-0000 | NUT(L) | 1 | 螺帽(左) | | | | | | |
| 28-19-4 | E0255-FIA0-1000 | UNIVERSAL JOINT(L) | 1 | 萬向接頭(左) | | | | | | |
| 28-19-5 | E0256-FIA0-1000 | UNIVERSAL JOINT(R) | 1 | 萬向接頭(右) | | | | | | |

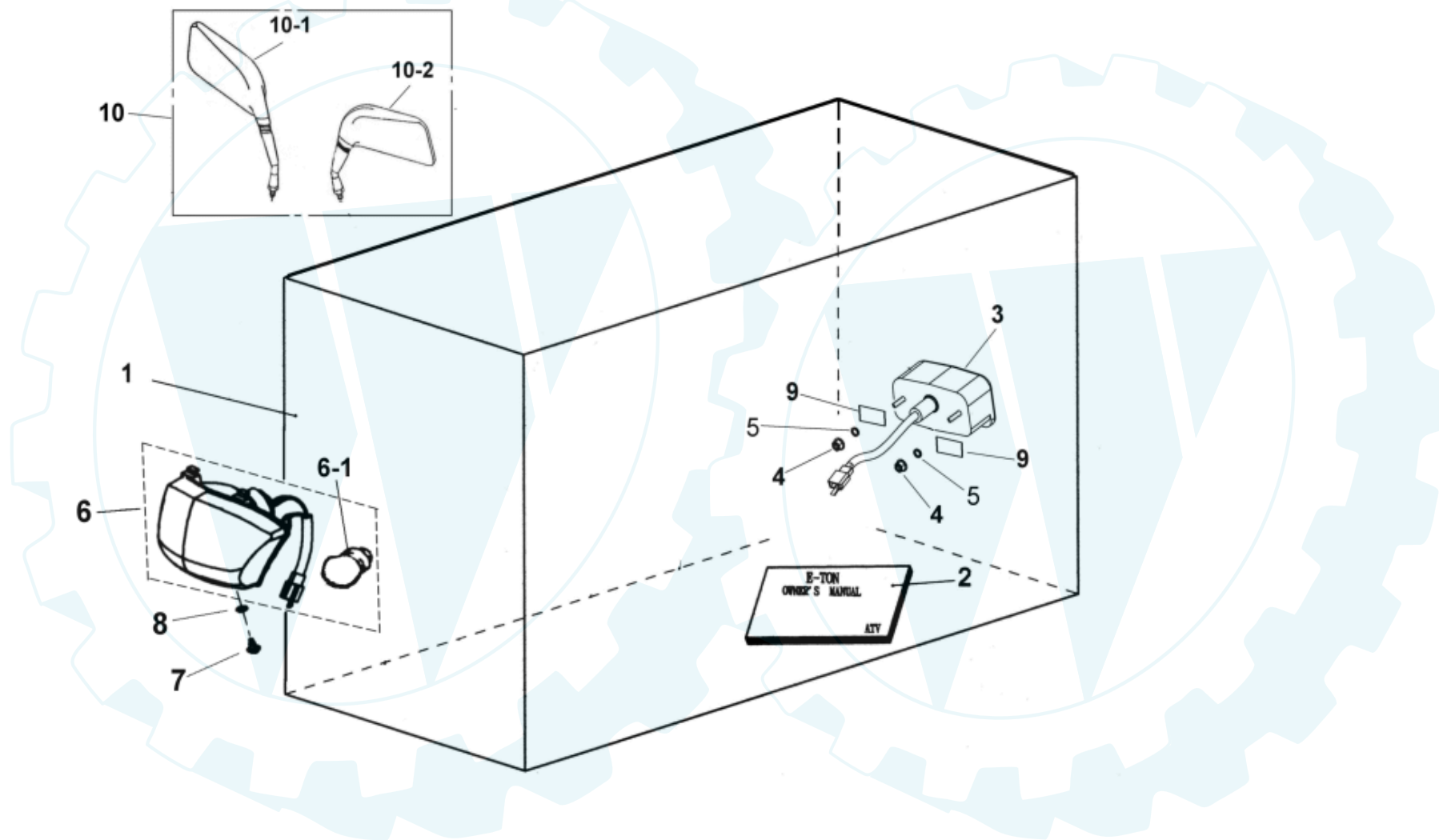
29.ELECTRICAL EQUIPMENT



| ITEM | PART NO. | NAME | Q'TY | 品名 | VIN NO | U.S | E.U | A.T | TW | A.S |
|---------|-----------------|-------------------------------|------|------------|--------|-----|-----|-----|----|-----|
| 29 | | ELECTRICAL PARTS | | | | | | | | |
| 29-1 | C2100-FIC0-9000 | MAIN WIRE ASSY. | 1 | 主配線 | | | | | | |
| 29-1-1 | C2010-FIA0-0000 | FUSE (10A) | 1 | 保險絲 | | | | | | |
| 29-2 | C2101-FIA0-0000 | POSITIVE HIGHT PRESSURE CABLE | 1 | 正極高壓導線 | | | | | | |
| 29-3 | C2102-FIA0-1000 | NEGATIVE LOW PRESSURE CABLE | 1 | 負極高壓導線 | | | | | | |
| 29-4 | C1500-FIA0-0000 | BATTERY | 1 | 電瓶 | | | | | | |
| 29-5 | C1501-9FA0-0000 | FOAM RUBBER STRIP | 2 | 電瓶海棉 | | | | | | |
| 29-6 | C1502-9FA0-0000 | RUBBER CLAMP, BATTERY(89L) | 1 | 電瓶固定帶 | | | | | | |
| 29-7 | C501A-5PA0-0000 | MAIN SWITCH ASSY. | 1 | 主開關總成 | | | | | | |
| 29-7-1 | C5010-9FA0-0000 | MAIN SWITCH | 1 | 主開關 | | | | | | |
| 29-7-2 | C5011-FIC0-0000 | FAUCET LOCK | 1 | 龍頭鎖 | | | | | | |
| 29-8 | C5201-FIC0-0000 | LEVER HOLDER ASSY | 1 | 左把手開關 | | | | | | |
| 29-9 | I8556-06016 | SCREW WITH WASHER(M6×16) | 1 | 盤頭螺絲附墊圈 | | | | | | |
| 29-10 | I3402-06015 | WASHER | 4 | 墊圈 | | | | | | |
| 29-11 | C830A-5PA0-0000 | FLY RELAY ASSY. | 1 | 閃光器 | | | | | | |
| 29-11-1 | C8302-EGA0-0000 | FIXER RUBBER, FLY RELAY | 2 | 閃光器固定橡膠 | | | | | | |
| 29-12 | H3936-5AA0-0000 | WIRE CLAMP | 1 | 線束帶 | | | | | | |
| 29-13 | H9020-FIA0-0000 | TOOL PACK | 1 | 工具包 | | | | | | |
| 29-14 | H9021-9FA0-0000 | TOOL PACK CLAMP | 1 | 工具包固定束帶 | | | | | | |
| 29-15 | C8110-5BA0-E000 | HORN | 1 | 喇叭 | | | | | | |
| 29-16 | I0020-05024 | BOLT(M5×24) | 1 | 螺栓 | | | | | | |
| 29-17 | I8556-06012 | SCREW WITH WASHER | 1 | 盤頭螺絲附墊圈 | | | | | | |
| 29-18 | I8501-5BA1-0000 | BOLT,BROKENABLE | 2 | 斷頭螺絲 | | | | | | |
| 29-19 | C0410-V30-9001 | C.D.I. UNIT ASSY. | 1 | CDI . UNIT | | | | | | |
| 29-20 | C0510-V30-0000 | IGNITION COIL ASSY. | 1 | 點火線圈 | | | | | | |
| 29-21 | C1600-B00-9000 | RECTIFIER & REGULATOR | 1 | 整流器 | | | | | | |

| ITEM | PART NO. | NAME | Q'TY | 品名 | VIN NO | U.S | E.U | A.T | TW | A.S |
|---------|-----------------|------------------------------|------|---------|--------|-----|-----|-----|----|-----|
| 29 | | ELECTRICAL PARTS | | | | | | | | |
| 29-22 | C1850-V30-0000 | PTC CONTROLLER | 1 | PTC控制器 | | | | | | |
| 29-23 | C5850-A04-0000 | STARTER RELY ASSY. | 1 | 起動開關組 | | | | | | |
| 29-24 | C576A-V30-0000 | LIGHT CONTROLLER | 1 | 燈號控制器 | | | | | | |
| 29-25 | I8557-06012 | SCREW ,WITH WASHER(M6×12) | 1 | 盤頭螺絲附墊圈 | | | | | | |
| 29-26 | I2140-60001 | WASHER | 2 | 高壓線圈墊片 | | | | | | |
| 29-27 | I2020-60000 | NUT,HEX-FINE | 2 | 起動開關組螺帽 | | | | | | |
| 29-28 | I0153-06839 | SCREW | 2 | 螺絲 | | | | | | |
| 29-29 | C3401-FIC0-0000 | FRONT TURN LAMP ASSY.(RIGHT) | 1 | 右前方向燈組 | | | | | | |
| 29-29-1 | F1231-FIC0-0000 | BULB | 1 | 燈泡 | | | | | | |
| 29-30 | I2020-40001 | NUT,NYLON(M4) | 4 | 尼龍螺帽 | | | | | | |
| 29-31 | C3451-FIC0-0000 | FRONT TURN LAMP ASSY.(LEFT) | 1 | 左前方向燈組 | | | | | | |
| 29-31-1 | F1231-FIC0-0000 | BULB | 1 | 燈泡 | | | | | | |
| 29-32 | F1240-5FA0-0000 | REAR TURN LAMP ASSY.(LEFT) | 1 | 左後方向燈組 | | | | | | |
| 29-32-1 | F1231-5FA0-0000 | BULB | 1 | 燈泡 | | | | | | |
| 29-33 | F1230-5FA0-0000 | REAR TURN LAMP ASSY.(RIGHT) | 1 | 右後方向燈組 | | | | | | |
| 29-33-1 | F1231-5FA0-0000 | BULB | 1 | 燈泡 | | | | | | |
| 29-34 | I2110-50000 | SCREW,CROSS RECESS HEAD | 2 | 十字槽盤頭螺絲 | | | | | | |
| 29-35 | C720A-FIC0-0000 | SPEEDOMETER ASSY | 1 | 碼錶總成 | | | | | | |
| 29-35-1 | C7200-FIC0-0000 | SPEEDOMETER ASSY | 2 | 碼錶總成 | | | | | | |
| 29-35-2 | C7207-FIC0-9000 | METER SENSOR | 2 | 碼錶感應組 | | | | | | |
| 29-35-3 | I4200-05005-1A | NUT | 4 | 螺帽 | | | | | | |
| 29-36 | C7202-5PA0-0000 | FUEL METER ASSY. | 1 | 控制儀錶 | | | | | | |
| 29-37 | C5850-FIC0-0000 | RELAY | 1 | 繼電器 | | | | | | |
| 29-38 | C8400-EMA0-0000 | BUZZER | 1 | 蜂鳴器 | | | | | | |
| 29-39 | I2600-03012 | SCREW,FLUSH(M3×12) | 2 | 十字平頭螺絲 | | | | | | |

30.PACKING CASE,EXTERNAL



| ITEM | PART NO. | NAME | Q'TY | 品名 | VIN NO | U.S | E.U | A.T | TW | A.S |
|----------|-----------------|-----------------------|------|------------|--------|-----|-----|-----|----|---------|
| 30 | | PACKING CASE,EXTERNAL | | | | | | | | |
| 30-1 | H9500-FIB0-0000 | PACKING CASE,EXTERNAL | 1 | 包裝外箱 | | | | | | N/A |
| 30-2 | H9900-FIC0-9000 | OWNER'S MANUAL | 1 | 使用手冊 | | | | | | N/A N/A |
| 30-3 | C3700-5BA0-0000 | TAIL LIGHT ASSY. | 1 | 後燈總成 | | | | | | |
| 30-4 | I5611-06200-0G | NUT,CHECK | 2 | 防鬆螺帽 | | | | | | |
| 30-5 | C510C-FIA0-0000 | RUBBER,WASHER | 2 | 橡膠墊片 | | | | | | |
| 30-6 | C5030-5PA0-0000 | HEAD LIGHT ASSY. | 1 | 頭燈總成 | | | | | | |
| 30-6-1 | C5003-5PA0-0000 | BULB,HEAD LIGHT | 1 | 頭燈燈泡 | | | | | | |
| 30-7 | F1103-BCA0-0000 | ADTUST BOLT | 1 | 前燈調整螺栓 | | | | | | |
| 30-8 | I0200-06000-0B | LOCK WASHER | 1 | 外齒型墊圈 | | | | | | |
| 30-9 | C1501-5FA0-0000 | FOAM-RUBBER STICK | 2 | 橡膠海綿條 | | | | | | |
| 30-10 | H8100-5BA1-E000 | BACK MIRROR ASSY. | 1 | 後視鏡總成(DOT) | | | | | | |
| 30-10-01 | H8110-5BA1-E000 | BACK MIRROR,RIGHT | 1 | 右後視鏡 | | | | | | |
| 30-10-02 | H8120-5BA1-E000 | BACK MIRROR,LEFT | 1 | 左後視鏡 | | | | | | |